



Selector switch, illuminable, 22 mm, round, plastic, white, selector switch, short, 3 switch positions I-O-II, latching, actuating angle 2x45°, 10:30h/12h/13:30h

product brand name	SIRIUS ACT
product designation	Selector switches
design of the product	Actuating/signaling element
product type designation	3SU1
product line	Plastic, black, 22 mm
<b>Enclosure</b>	
number of command points	1
<b>Actuator</b>	
design of the actuating element	Selector, short
principle of operation of the actuating element	latching, 2x45° (10:30 h/12 h/13:30 h)
product extension optional	
• light source	Yes
• contact module	Yes
color of the actuating element	white
material of the actuating element	plastic
shape of the actuating element	Handle
outer diameter of the actuating element	32.3 mm
number of switching positions	3
actuating angle	
• clockwise	45°
• anticlockwise	45°
<b>Front ring</b>	
product component front ring	Yes
design of the front ring	standard
material of the front ring	plastic
color of the front ring	black
<b>General technical data</b>	
protection class IP	IP66, IP67, IP69(IP69K)
degree of protection NEMA rating	1, 2, 3, 3R, 4, 4X, 12, 13
shock resistance	
• according to IEC 60068-2-27	sinusoidal half-wave 15 g / 11 ms
• for railway applications according to EN 61373	Category 1, Class B
vibration resistance	
• according to IEC 60068-2-6	10 ... 500 Hz: 5 g
• for railway applications according to EN 61373	Category 1, Class B
operating frequency maximum	1 800 1/h

mechanical service life (operating cycles) typical	1 000 000
reference code according to IEC 81346-2	S
Substance Prohibittance (Date)	10/01/2014
Net Weight	21 g

#### Safety related data

<b>proportion of dangerous failures</b>	
<ul style="list-style-type: none"> <li>with low demand rate according to SN 31920</li> </ul>	20 %
<ul style="list-style-type: none"> <li>with high demand rate per NC contact according to SN 31920</li> </ul>	20 %
<ul style="list-style-type: none"> <li>with high demand rate per NO contact according to SN 31920</li> </ul>	50 %
<b>B10 value with high demand rate according to SN 31920</b>	300 000
<b>failure rate [FIT] with low demand rate per NC contact according to SN 31920</b>	100 FIT
IEC 61508	
T1 value for proof test interval or service life according to IEC 61508	20 a

#### Ambient conditions

<b>ambient temperature</b>	
<ul style="list-style-type: none"> <li>during operation</li> </ul>	-25 ... +70 °C
<ul style="list-style-type: none"> <li>during storage</li> </ul>	-40 ... +80 °C
environmental category during operation according to IEC 60721	3M6, 3S2, 3B2, 3C3, 3K6 (with relative air humidity of 10 ... 95%)

#### Installation/ mounting/ dimensions

height	32.3 mm
width	32.3 mm
shape of the installation opening	round
mounting diameter	22.3 mm
positive tolerance of installation diameter	0.4 mm
mounting height	28.8 mm
installation width	32.3 mm
installation depth	25.4 mm

#### Approvals Certificates

Environmental Product Declaration	
<ul style="list-style-type: none"> <li>global warming potential [CO2 eq] / during manufacturing</li> </ul>	0.566 kg
<ul style="list-style-type: none"> <li>global warming potential [CO2 eq] / during operation</li> </ul>	0.235 kg
<ul style="list-style-type: none"> <li>global warming potential [CO2 eq] / after end of life</li> </ul>	-0.0145 kg
<ul style="list-style-type: none"> <li>global warming potential [CO2 eq] / total</li> </ul>	0.787 kg

Environment	General Product Approval	Maritime application
-------------	--------------------------	----------------------

[Environmental Confirmations](#)



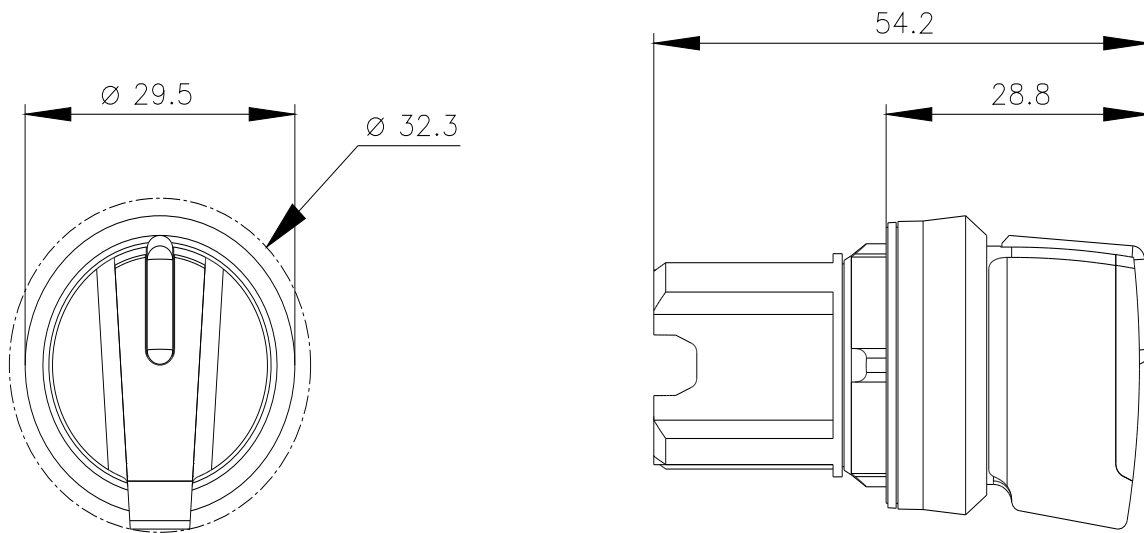
Maritime application	other
----------------------	-------



[Confirmation](#)

#### Further information

Information on the packaging  
<https://support.industry.siemens.com/cs/ww/en/view/109813875>  
Information for data generation and storage  
<https://support.industry.siemens.com/cs/ww/en/view/109995012>  
Information- and Downloadcenter (Catalogs, Brochures,...)  
<https://www.siemens.com/ic10>  
Industry Mall (Online ordering system)  
<https://mall.industry.siemens.com/mall/en/en/Catalog/product?mlfb=3SU1002-2BL60-0AA0>  
Cax online generator  
<https://support.automation.siemens.com/WW/CAXorder/default.aspx?lang=en&mlfb=3SU1002-2BL60-0AA0>



last modified:

4/4/2026 