

HC-M-02-AT-F-35 - Contact insert module



1417390

<https://www.phoenixcontact.com/ro/produse/1417390>

Vă rugăm să țineți cont de faptul că datele afișate în acest document PDF au fost generate din catalogul nostru online. Datele complete sunt disponibile în documentația pentru utilizator. În cazul descărcărilor, se aplică Termenii și condițiile generale de utilizare ale companiei noastre.



Contact insert module, number of positions: 2, power contacts: 2, control contacts: 0, Socket, Axial screw connection, 1000 V, 100 A, 10 mm² ... 35 mm², application: Power

Date comerciale

Număr articol	1417390
Unitate de ambalare	2 Bucată
Cantitate minimă pentru comandă	2 Bucată
Cod produs	BF7ACE
Pagina de catalog	Pagina 573 (C-2-2019)
GTIN	4055626112701
Greutate pe bucată (inclusiv ambalajul)	66,31 g
Greutate pe bucată (fără ambalaj)	66,31 g
Cod tarifar vamal	85366990
Țara de origine	PL

Date tehnice

Notes

General	For HEAVYCON HC-B6 to B48 housing, snap-in module frame required, axial connection for 4 mm Allen key
General	Connectors may be operated only when there is no load/voltage.
General	The axial screw connection must be established using a 4 mm Allen key (for stranded conductors only)

Mounting

Assembly note	<p>To ensure correct use, installation in housing with IP54 protection or better is required</p> <p>Note regarding axial connection technology:</p> <p>Only for stranded wires. The specified conductor cross sections refer to the geometric cross section of the cable used. Cables with a geometric cross section which deviates significantly from the nominal cable cross section must be checked before use.</p> <p>The axial connection technology connection space is designed for fine strand cables according to VDE 0295 Class 5. Deviating cable structures (e.g., Class 6 cables) must be checked before use.</p> <p>Assembly instructions</p> <p>Before assembly, ensure that the tapered screw is fully loosened (chamber is open). Cables must not be twisted. The wires must be pushed into the contact chamber as far as they will go (until the insulation touches the contact). Hold the wires in position and tighten using an Allen key. The used wire end must be cut off before reconnection. The terminal screw must only be retightened once to prevent the litz wires from breaking. To prevent damage to the contact, the wire/cable must be mechanically held at an appropriate distance from the connection point (e.g., when used in a plate cut out). For notes on correct execution, see DIN VDE 0100-520:2003-06. Unused connections must be tightened with maximum torque.</p>
Hexagonal socket	SW 4

Product properties

Product type	Modular contact insert
Series	HC-M-HS
Application	Power
Number of positions	2
Connection profile	2
Contact numbering	1 - 2
Number of module slots	2
No. of power contacts	2
No. of control contacts	0
Contact material type	turned

HC-M-02-AT-F-35 - Contact insert module



1417390

<https://www.phoenixcontact.com/ro/produse/1417390>

Data management status

Article revision	04
------------------	----

Insulation characteristics

Overvoltage category	III
Degree of pollution	3

Connection data

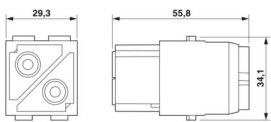
Connection technology

Connection technology	Axial screw connection
-----------------------	------------------------

Conductor connection

Conductor cross section	10 mm ² ... 35 mm ² (The cross section specification refers to the geometric cross section of the cable used)
Connection cross section AWG	8 ... 2
Tightening torque	6 Nm (10 mm ² ... 16 mm ²)
	7 Nm (25 mm ²)
	8 Nm (35 mm ²)
Stripping length of the individual wire	14 mm (with an outside conductor diameter up to 9 mm)
	16 mm (with an outside conductor diameter up to 11.5 mm)

Dimensions

Dimensional drawing	
Width	34.2 mm
Height	50.3 mm
Length	29.4 mm

Mechanical characteristics

Minimum housing height	72 mm
Contact diameter	8 mm

Electrical properties

Rated voltage (III/3)	1000 V
Rated surge voltage	8 kV
Rated current	100 A

Mechanical properties

Mechanical data

Insertion/withdrawal cycles	≥ 500
-----------------------------	-------

Material specifications

HC-M-02-AT-F-35 - Contact insert module



1417390

<https://www.phoenixcontact.com/ro/produce/1417390>

Flammability rating according to UL 94	V0
Contact material	Copper alloy
Contact surface material	Ag
Contact carrier material	PC
Standards/regulations	PC: Fire protection in rail vehicles - requirement sets R22, R23, and R24 acc. to DIN EN 45545-2 (Risk level HL1 - HL3)

Environmental and real-life conditions

Ambient conditions

Ambient temperature (operation)	-40 °C ... 125 °C
---------------------------------	-------------------

Standards and regulations

Testing

Standards/regulations	PC: Fire protection in rail vehicles - requirement sets R22, R23, and R24 acc. to DIN EN 45545-2 (Risk level HL1 - HL3)
-----------------------	---

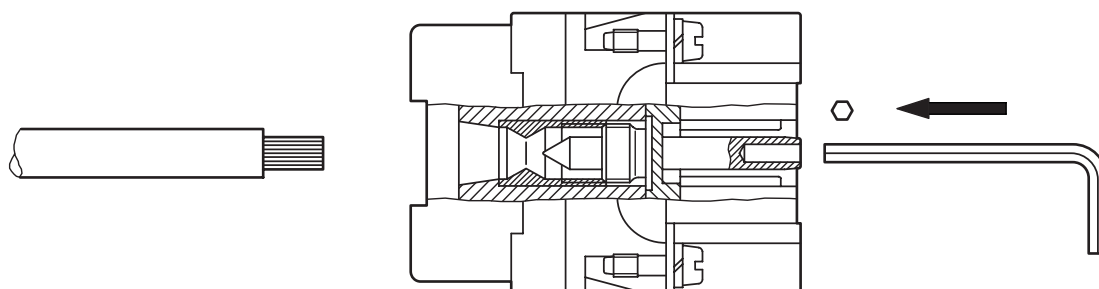
HC-M-02-AT-F-35 - Contact insert module

1417390

<https://www.phoenixcontact.com/ro/produse/1417390>

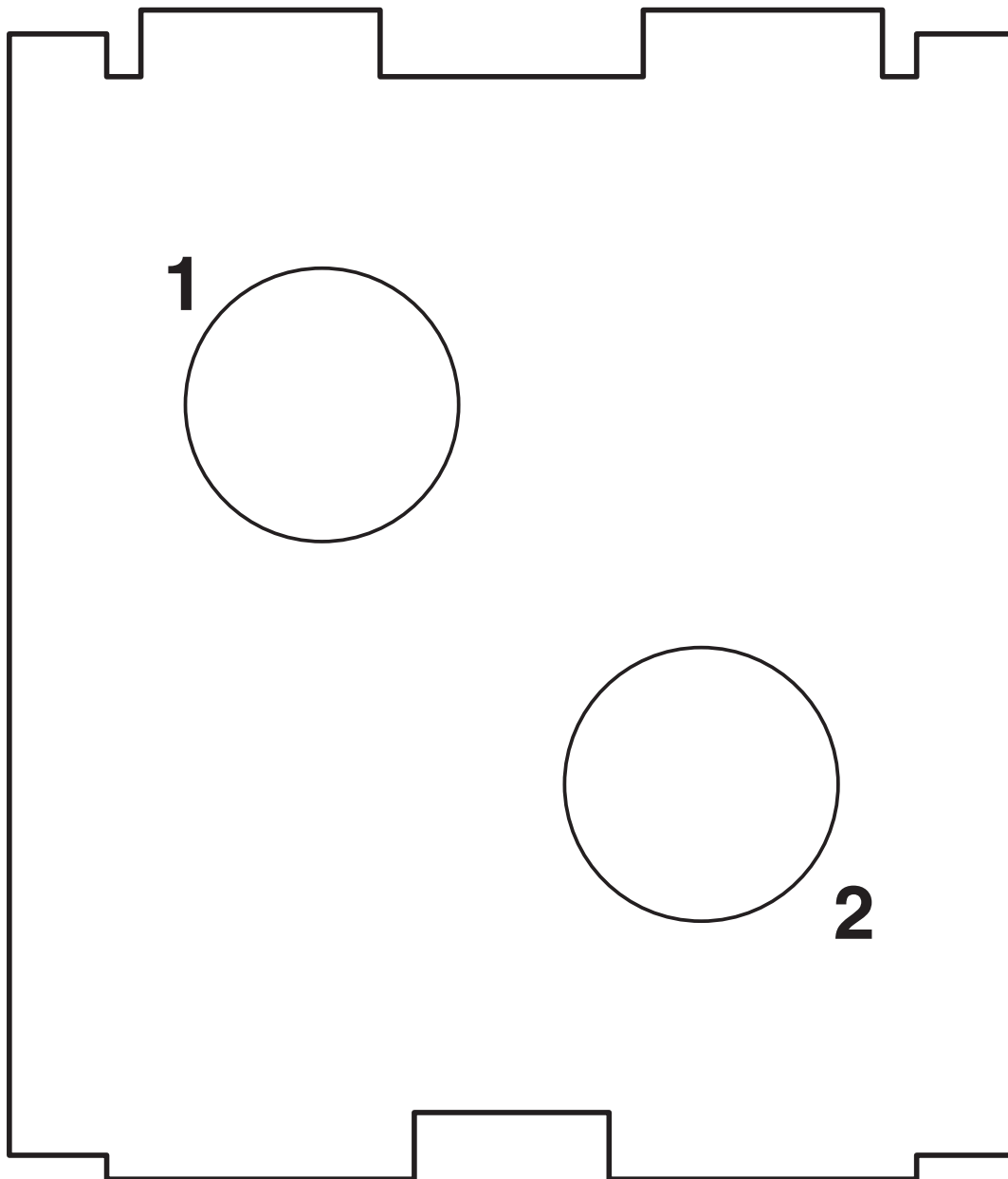
Desene

Schematic diagram



Axial connection

Schematic diagram



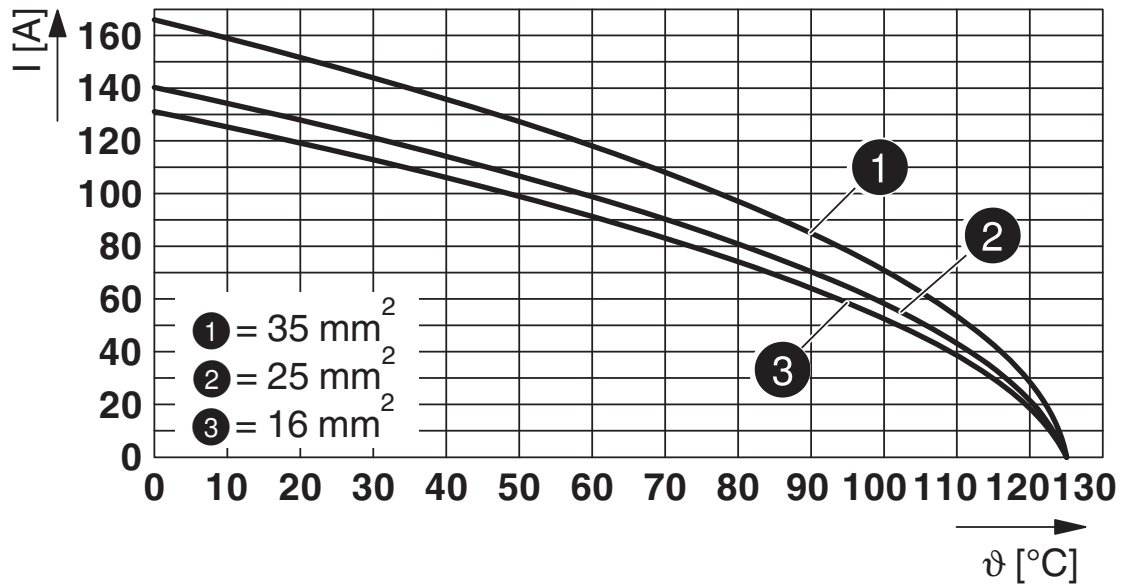
Connector pin assignment

HC-M-02-AT-F-35 - Contact insert module

1417390

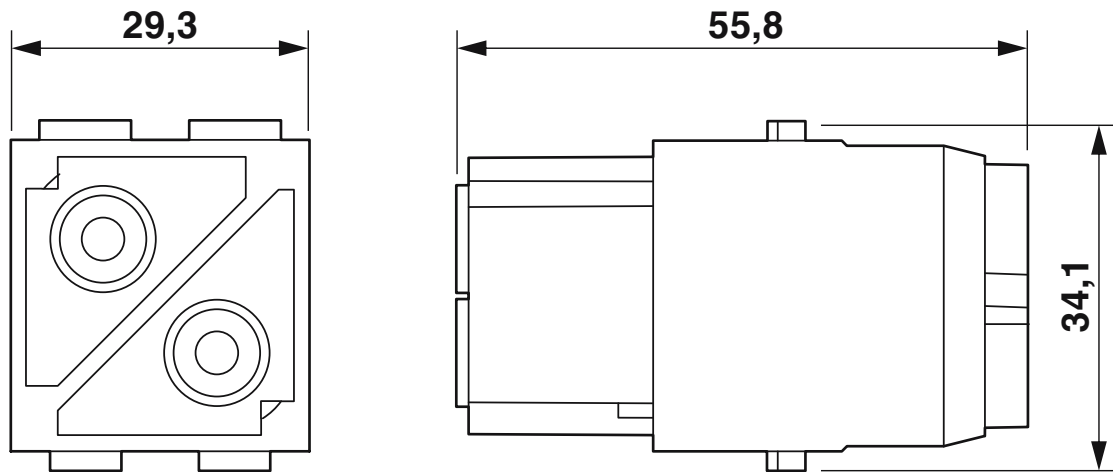
<https://www.phoenixcontact.com/ro/produse/1417390>

Diagram



Derating diagram

Dimensional drawing



Socket module

HC-M-02-AT-F-35 - Contact insert module



1417390

<https://www.phoenixcontact.com/ro/produse/1417390>

Aprobări

To download certificates, visit the product detail page: <https://www.phoenixcontact.com/ro/produse/1417390>

DNV

ID de înregistrare: TAE000037S



CSA

ID de înregistrare: 13631

Tensiune nominală U_N	Curent nominal I_N	Secțiune transversală AWG	Secțiune transversală mm^2
600 V	100 A	- 2	-



UL Recognized

ID de înregistrare: E118976

Tensiune nominală U_N	Curent nominal I_N	Secțiune transversală AWG	Secțiune transversală mm^2
600 V	127 A	- 2	-



EAC

ID de înregistrare: RU C-DE.BL08.B.00511

HC-M-02-AT-F-35 - Contact insert module



1417390

<https://www.phoenixcontact.com/ro/produse/1417390>

Clasificări

ECLASS

ECLASS-11.0	27440217
ECLASS-12.0	27440217
ECLASS-13.0	27440217

ETIM

ETIM 9.0	EC000438
----------	----------

UNSPSC

UNSPSC 21.0	39121400
-------------	----------

1417390

<https://www.phoenixcontact.com/ro/produse/1417390>

Environmental product compliance

EU RoHS

Îndeplinește cerințele conform directivei RoHS	Da, Nicio reglementare privind excepțiile
--	---

China RoHS

Environment friendly use period (EFUP)	EFUP-E
	Nu există substanțe periculoase peste valorile limită

EU REACH SVHC

Trimitere la substanța candidată REACH (nr. CAS)	Nicio substanță cu un procentaj masic mai mare de 0,1 %
--	---

HC-M-02-AT-F-35 - Contact insert module

1417390

<https://www.phoenixcontact.com/ro/produse/1417390>

Accesorii

HC-CBU-MOD - Coding element

1636130

<https://www.phoenixcontact.com/ro/produse/1636130>



Coding socket for coding up to 16 connectors, for HC Modular

HC-CST-MOD - Coding element

1636127

<https://www.phoenixcontact.com/ro/produse/1636127>



Coding peg for coding up to 16 connectors, for HC Modular

HC-M-02-AT-F-35 - Contact insert module

1417390

<https://www.phoenixcontact.com/ro/produce/1417390>



HC-M-MHR-PE16 - Cable lug

1636981

<https://www.phoenixcontact.com/ro/produce/1636981>



Cable lug for HEAVYCON-MODULAR; PE connection extension to 16 mm², for crimping with crimp pliers

HC-M-B06-MFH-B - Module carrier frame

1182085

<https://www.phoenixcontact.com/ro/produce/1182085>



Module carrier frame, size: B6, type : for the panel mounting side (a, b, c, ...), 4 mm² ... 6 mm², application: Module carrier frame

HC-M-02-AT-F-35 - Contact insert module

1417390

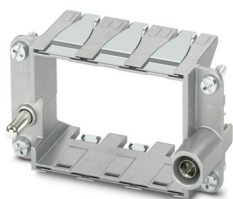
<https://www.phoenixcontact.com/ro/produse/1417390>



HC-M-B10-MFH-B - Module carrier frame

1182088

<https://www.phoenixcontact.com/ro/produse/1182088>



Module carrier frame, size: B10, type : for the panel mounting side (a, b, c, ...), 4 mm² ... 6 mm², application: Module carrier frame

HC-M-B16-MFH-B - Module carrier frame

1182090

<https://www.phoenixcontact.com/ro/produse/1182090>



Module carrier frame, size: B16, type : for the panel mounting side (a, b, c, ...), 4 mm² ... 6 mm², application: Module carrier frame

HC-M-02-AT-F-35 - Contact insert module

1417390

<https://www.phoenixcontact.com/ro/produse/1417390>



HC-M-B24-MFH-B - Module carrier frame

1182094

<https://www.phoenixcontact.com/ro/produse/1182094>

Module carrier frame, size: B24, type : for the panel mounting side (a, b, c, ...), 4 mm² ... 6 mm², application: Module carrier frame



HC-M-B06-MFH-H - Module carrier frame

1182087

<https://www.phoenixcontact.com/ro/produse/1182087>

Module carrier frame, size: B6, type : for the sleeve side (A, B, C, ...), 4 mm² ... 6 mm², application: Module carrier frame



HC-M-02-AT-F-35 - Contact insert module

1417390

<https://www.phoenixcontact.com/ro/produse/1417390>



HC-M-B10-MFH-H - Module carrier frame

1182089

<https://www.phoenixcontact.com/ro/produse/1182089>



Module carrier frame, size: B10, type : for the sleeve side (A, B, C, ...), 4 mm² ...
6 mm², application: Module carrier frame

HC-M-B16-MFH-H - Module carrier frame

1182093

<https://www.phoenixcontact.com/ro/produse/1182093>



Module carrier frame, size: B16, type : for the sleeve side (A, B, C, ...), 4 mm² ...
6 mm², application: Module carrier frame

HC-M-02-AT-F-35 - Contact insert module

1417390

<https://www.phoenixcontact.com/ro/produse/1417390>



HC-M-B24-MFH-H - Module carrier frame

1182095

<https://www.phoenixcontact.com/ro/produse/1182095>

Module carrier frame, size: B24, type : for the sleeve side (A, B, C, ...), 4 mm² ... 6 mm², application: Module carrier frame



HC-M-02-AT-M-35 - Contact insert module

1417392

<https://www.phoenixcontact.com/ro/produse/1417392>

Contact insert module, number of positions: 2, power contacts: 2, control contacts: 0, Pin, Axial screw connection, 1000 V, 100 A, 10 mm² ... 35 mm², application: Power



HC-M-02-AT-F-35 - Contact insert module



1417390

<https://www.phoenixcontact.com/ro/produse/1417390>

SF-BIT-HEX 4-89 S - Screw insert

1200302

<https://www.phoenixcontact.com/ro/produse/1200302>



Screw bit, hexagon, E6.3-1/4" drive, size: Hex 4 x 89 mm, hardened, suitable for holder according to DIN 3126-F6.3/ISO 1173

SF-THEX 4-150 - Screwdriver

1212640

<https://www.phoenixcontact.com/ro/produse/1212640>



T-handle screwdriver, for Allen screws, hexagonal (with chamfer), size: hex 4 x 150 mm, ergonomically shaped handle, matt chrome-plated

Phoenix Contact 2024 © - Toate drepturile rezervate
<https://www.phoenixcontact.com>

PHOENIX CONTACT România
Splaiul Unirii 165 Timpuri Noi Square TNO1, Etaj 1
Bucuresti 030133
+40 21 350 88 12 - 3
sales.ro@phoenixcontact.com