



Enclosure for position switch 3SE51, 56 mm wide metal with cover, turquoise  
Device connection 3x (M20x 1.5)

product brand name	SIRIUS		
product designation	enclosure for standard position switch, metal, 54 mm wide, cover turquoise		
product type designation	3SE5		
<b>General technical data</b>			
insulation voltage rated value	400 V		
degree of pollution	class 3		
protection class IP	IP66/IP67		
shock resistance			
• according to IEC 60068-2-27	30 g / 11 ms		
vibration resistance according to IEC 60068-2-6	0.35 mm/5 g		
reference code according to IEC 81346-2	U		
active principle	mechanical		
Substance Prohibitance (Date)	07/01/2006		
SVHC substance name	Imidazolidine-2-thione (2-imidazoline-2-thiol) CAS-No. 96-45-7		
Net Weight	0.366 kg		
length of the sensor	85.7 mm		
width of the sensor	56 mm		
<b>Ambient conditions</b>			
ambient temperature			
• during operation	-25 ... +85 °C		
• during storage	-40 ... +90 °C		
explosion protection category for dust	none		
<b>Enclosure</b>			
design of the housing	block, wide		
material of the enclosure	metal		
coating of the enclosure	cathodic dip coating		
design of the housing according to standard	No		
<b>Drive Head</b>			
design of the actuating element	Other, without, empty enclosure		
cable entry type	3x (M20 x 1.5)		
<b>Installation/ mounting/ dimensions</b>			
mounting position	any		
fastening method	screw fixing		
design of the interface for safety-related communication	without		
<b>Communication/ Protocol</b>			
design of the interface	without		
<b>Approvals Certificates</b>			
General Product Approval	Test Certificates	other	Environment



Environment



Further information

Information on the packaging

<https://support.industry.siemens.com/cs/ww/en/view/109813875>

Information for data generation and storage

<https://support.industry.siemens.com/cs/ww/en/view/109995012>

Information- and Downloadcenter (Catalogs, Brochures,...)

<https://www.siemens.com/ic10>

Industry Mall (Online ordering system)

<https://mall.industry.siemens.com/mall/en/en/Catalog/product?mlfb=3SE5122-0AA00>

Cax online generator

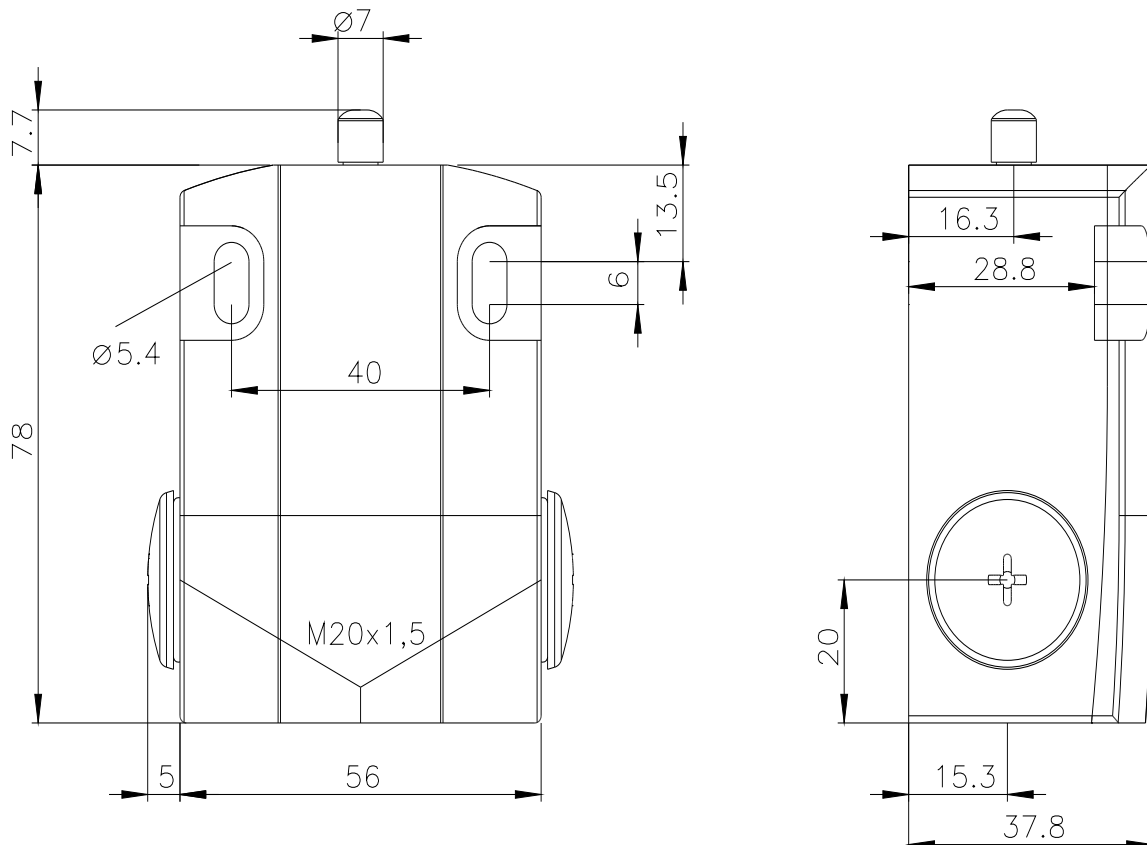
<https://support.automation.siemens.com/WW/CAXorder/default.aspx?lang=en&mlfb=3SE5122-0AA00>

Service&Support (Manuals, Certificates, Characteristics, FAQs,...)

<https://support.industry.siemens.com/cs/ww/en/ps/3SE5122-0AA00>

Image database (product images, 2D dimension drawings, 3D models, device circuit diagrams, EPLAN macros, ...)

[https://www.automation.siemens.com/bilddb/cax\\_de.aspx?mlfb=3SE5122-0AA00&lang=en](https://www.automation.siemens.com/bilddb/cax_de.aspx?mlfb=3SE5122-0AA00&lang=en)



last modified:

4/4/2026