



Cable connection cover with reach-around protection, for size NH2 1-pole, accessories for 3NP1 fuse switch disconnectors



Model		
product brand name	SETRON	
product designation	terminal cover.	
design of the product	accessories for 3NP1 fuse switch disconnectors	
suitability for use	for 3NP1, 1-pole, NH2	
Accessories		
accessories	terminal cover	
Mechanical Design		
Net Weight	196 g	
Approvals Certificates		
Environment	General Product Approval	Maritime application

[Environmental Con-
firmations](#)

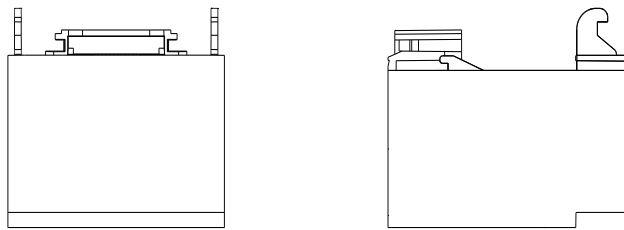
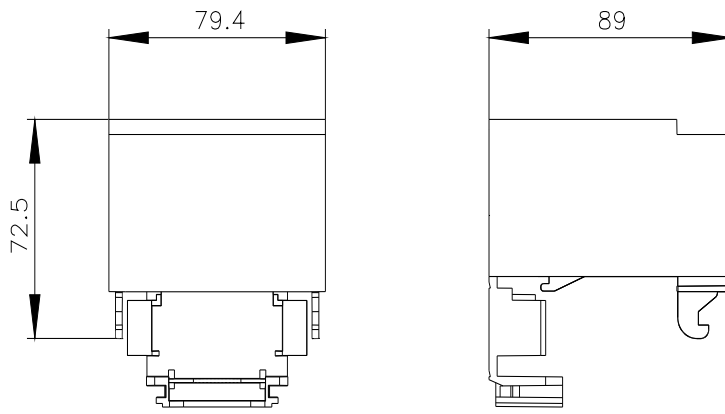
[Environmental Con-
firmations](#)

[Miscellaneous](#)



Further information

- Information on the packaging
<https://support.industry.siemens.com/cs/ww/en/view/109813875>
- Information for data generation and storage
<https://support.industry.siemens.com/cs/ww/en/view/109995012>
- Information- and Downloadcenter (Catalogs, Brochures,...)
<https://www.siemens.com/lowvoltage/catalogs>
- Industry Mall (Online ordering system)
<https://mall.industry.siemens.com/mall/en/en/Catalog/product?mlfb=3NP1951-1CD00>
- Service&Support (Manuals, Certificates, Characteristics, FAQs,...)
<https://support.industry.siemens.com/cs/ww/en/ps/3NP1951-1CD00>
- Image database (product images, 2D dimension drawings, 3D models, device circuit diagrams, ...)
https://www.automation.siemens.com/bilddb/cax_en.aspx?mlfb=3NP1951-1CD00
- CAX-Online-Generator
<https://www.siemens.com/cax>
- Tender specifications
<https://www.siemens.com/specifications>
- Characteristic curves
[https://curves.simaris.siemens.com/curves/<mmp_prod_noCOMP="HAUPT"></mmp_prod_no>](https://curves.simaris.siemens.com/curves/<mmp_prod_noCOMP=)



last modified:

8/7/2025 

