



SENTRON, Fuse switch disconnecter 3NP1, 3-pole, NH2, 400 A, for Busbar system 8US 60 mm, Box terminal, Fuse monitoring: electromechanical, Cover level 32/70 mm

| Model  |                             |
|--|-----------------------------|
| product designation                                | Fuse switch disconnecter    |
| busbar design                                      | busbar thickness 5 or 10 mm |
| design of the safety monitoring                    | electro mechanical          |
| design of the load switch strip form               | No                          |
| type of the driving mechanism motor drive          | No                          |
| General technical data                             |                             |
| number of poles                                    | 3                           |
| type of device                                     | For 60 mm 8US busbar system |
| size of disconnecting link                         | 2 and 1                     |
| size of fuse link                                  | NH1, NH2                    |
| let-through current with closed switch maximum     | 40 kA                       |
| mechanical service life (operating cycles) typical | 1 000                       |
| I <sup>2</sup> t value with closed switch maximum  | 2 150 kA <sup>2</sup> ·s    |
| power factor                                       |                             |
| • at AC-22 B                                       | 0.65                        |
| • at AC-23 B                                       | 0.35                        |
| • with capacitive load                             | -0.25                       |
| fuse system  | LV HRC fuse                 |
| degree of pollution                                | 3                           |
| Voltage  |                             |
| insulation voltage                                 |                             |
| • rated value                                      | 690 V                       |
| • with degree of pollution 3 at AC rated value     | 690 V                       |
| • with degree of pollution 2 at AC rated value     | 1 000 V                     |
| power factor at AC-21 B                            | 0.95                        |
| surge voltage resistance rated value               | 8 kV                        |
| • operational current                              |                             |
| — at 35 °C rated value                             | 400 A                       |
| — at 40 °C rated value                             | 400 A                       |
| — at 45 °C rated value                             | 392 A                       |
| — at 50 °C rated value                             | 372 A                       |
| — at 55 °C rated value                             | 356 A                       |
| • operational current                              |                             |
| — at AC-21 B at 240 V rated value                  | 400 A                       |
| — at AC-21 B at 400 V rated value                  | 400 A                       |
| — at AC-21 B at 500 V rated value                  | 400 A                       |
| — at AC-21 B at 690 V rated value                  | 400 A                       |

|   |        |
|---|--------|
| — at AC-22 B at 240 V rated value   | 400 A  |
| — at AC-22 B at 400 V rated value   | 400 A  |
| — at AC-22 B at 500 V rated value   | 400 A  |
| — at AC-22 B at 690 V rated value   | 400 A  |
| — at AC-23 B at 690 V rated value   | 125 A  |
| — at AC-23 B at 500 V rated value   | 315 A  |
| — at AC-23 B at 400 V rated value   | 400 A  |
| — at AC-23 B at 240 V rated value   | 400 A  |
| — at DC-21 B at 120 V rated value   | 400 A  |
| — at DC-21 B at 240 V rated value   | 400 A  |
| — at DC-21 B at 440 V rated value   | 400 A  |
| — at DC-22 B at 120 V rated value   | 400 A  |
| — at DC-22 B at 240 V rated value   | 400 A  |
| — at DC-22 B at 440 V rated value   | 315 A  |
| — at DC-23 B at 120 V rated value   | 250 A  |
| — at DC-23 B at 240 V rated value   | 250 A  |
| — at DC-23 B at 440 V rated value   | 160 A  |
| <b>let-through current with high-speed activation maximum permissible</b> | 40 kA  |
| <b>operating voltage</b>  |        |
| • at AC rated value minimum   | 24 V   |
| • at AC rated value maximum   | 690 V  |
| • at DC rated value   | 240 V  |
| • at DC rated value minimum   | 24 V   |
| • at DC rated value maximum   | 250 V  |
| <b>Protection class</b>   |        |
| <b>protection class IP</b>  |        |
| • with closed switch with cover or cable lug cover                        | IP40   |
| • with closed switch without cover or cable lug cover                     | IP30   |
| • open  | IP20   |
| <b>Dissipation</b>  |        |
| <b>power loss [W]</b>   |        |
| • with conventional rated thermal current without fuse per pole           | 14 W   |
| • with conventional rated thermal current without fuse per device         | 42 W   |
| • for rated value of the current at AC in hot operating state per pole    | 16.8 W |
| • of the fuse per fuse maximum  | 34 W   |
| <b>Main circuit</b>   |        |
| <b>operational current</b>  |        |
| • rated value   | 400 A  |
| • with capacitive load at 400 V rated value                               | 72 A   |
| • with capacitive load at 500 V rated value                               | 55 A   |
| <b>Auxiliary circuit</b>  |        |
| <b>number of CO contacts for auxiliary contacts</b>                       | 0      |
| <b>number of NC contacts for auxiliary contacts</b>                       | 0      |
| <b>number of NO contacts for auxiliary contacts</b>                       | 0      |
| <b>Suitability</b>  |        |
| <b>suitability for use main switch</b>                                    | No     |
| <b>suitability for use switch disconnecter</b>                            | Yes    |
| <b>suitability for use EMERGENCY OFF switch</b>                           | No     |
| <b>suitability for use safety switch</b>                                  | Yes    |
| <b>suitability for use maintenance/repair switch</b>                      | Yes    |
| <b>Product details</b>  |        |
| <b>product function phase failure monitoring</b>                          | No     |
| <b>product component</b>  |        |
| • undervoltage release  | No     |
| • undervoltage release with leading contact                               | No     |
| <b>product feature sealable</b>   | Yes    |

|  |                                 |
|--|---------------------------------|
| <b>product extension auxiliary switch</b>  | Yes                             |
| <b>product extension optional locking capability</b>                             | Yes                             |
| <b>product extension optional phase failure monitoring</b>                       | Yes                             |
| <b>product extension optional voltage trigger</b>                                | No                              |
| <b>product extension optional overvoltage protection monitoring</b>              | Yes                             |
| <b>Product function</b>  |                                 |
| product function overvoltage protection monitoring                               | No                              |
| <b>Short circuit</b>   |                                 |
| <b>conditional short-circuit current (I<sub>q</sub>)</b>                         |                                 |
| • at AC at 240 V with high-speed activation rated value                          | 80 kA                           |
| • at AC at 500 V with high-speed activation rated value                          | 80 kA                           |
| • at AC at 690 V with high-speed activation rated value                          | 50 kA                           |
| • with closed switch at AC at 240 V rated value                                  | 100 kA                          |
| • with closed switch at AC at 500 V rated value                                  | 100 kA                          |
| • with closed switch at AC at 690 V rated value                                  | 100 kA                          |
| <b>Connections</b>   |                                 |
| arrangement of electrical connectors for main current circuit                    | other                           |
| <b>connectable conductor cross-section for main contacts</b>                     |                                 |
| • solid or stranded minimum  | 120 mm <sup>2</sup>             |
| • solid or stranded maximum  | 300 mm <sup>2</sup>             |
| • finely stranded with core end processing minimum                               | 120 mm <sup>2</sup>             |
| • finely stranded with core end processing maximum                               | 240 mm <sup>2</sup>             |
| • stranded minimum   | 120 mm <sup>2</sup>             |
| • stranded maximum   | 300 mm <sup>2</sup>             |
| <b>tightening torque with screw-type terminals</b>                               |                                 |
| • minimum  | 25 N·m                          |
| • maximum  | 25 N·m                          |
| type of connectable conductor cross-sections of the laminated conductors maximum | 32 x 10 mm                      |
| <b>type of connection technology</b>   | Box terminal                    |
| <b>Mechanical Design</b>   |                                 |
| <b>height</b>  | 306 mm                          |
| <b>width</b>   | 209.4 mm                        |
| <b>width of the busbar</b>   |                                 |
| • minimum  | 12 mm                           |
| • maximum  | 30 mm                           |
| <b>depth</b>   | 234 mm                          |
| <b>fastening method</b>  | busbar                          |
| <b>fastening method</b>  |                                 |
| • floor mounting   | No                              |
| • rail mounting  | Yes                             |
| <b>mounting position</b>   | horizontal/vertical             |
| <b>busbar center-to-center spacing</b>   | 60 mm                           |
| <b>Net Weight</b>  | 5.343 kg                        |
| <b>Environmental conditions</b>  |                                 |
| <b>ambient temperature during operation</b>                                      |                                 |
| • minimum  | -25 °C                          |
| • maximum  | 55 °C                           |
| <b>ambient temperature during storage</b>  |                                 |
| • minimum  | -50 °C                          |
| • maximum  | 80 °C                           |
| <b>Certificates</b>  |                                 |
| <b>reference code according to IEC 81346-2</b>                                   | Q                               |
| <b>Approvals Certificates</b>  |                                 |
| <b>Environment</b>   | <b>General Product Approval</b> |



General Product Ap-  
proval

Maritime application



Further information

Information on the packaging

<https://support.industry.siemens.com/cs/ww/en/view/109813875>

Information for data generation and storage

<https://support.industry.siemens.com/cs/ww/en/view/109995012>

Information- and Downloadcenter (Catalogs, Brochures,...)

<https://www.siemens.com/lowvoltage/catalogs>

Industry Mall (Online ordering system)

<https://mall.industry.siemens.com/mall/en/en/Catalog/product?mlfb=3NP1153-1BC21>

Service&Support (Manuals, Certificates, Characteristics, FAQs,...)

<https://support.industry.siemens.com/cs/ww/en/ps/3NP1153-1BC21>

Image database (product images, 2D dimension drawings, 3D models, device circuit diagrams, ...)

[https://www.automation.siemens.com/bilddb/cax\\_en.aspx?mlfb=3NP1153-1BC21](https://www.automation.siemens.com/bilddb/cax_en.aspx?mlfb=3NP1153-1BC21)

CAX-Online-Generator

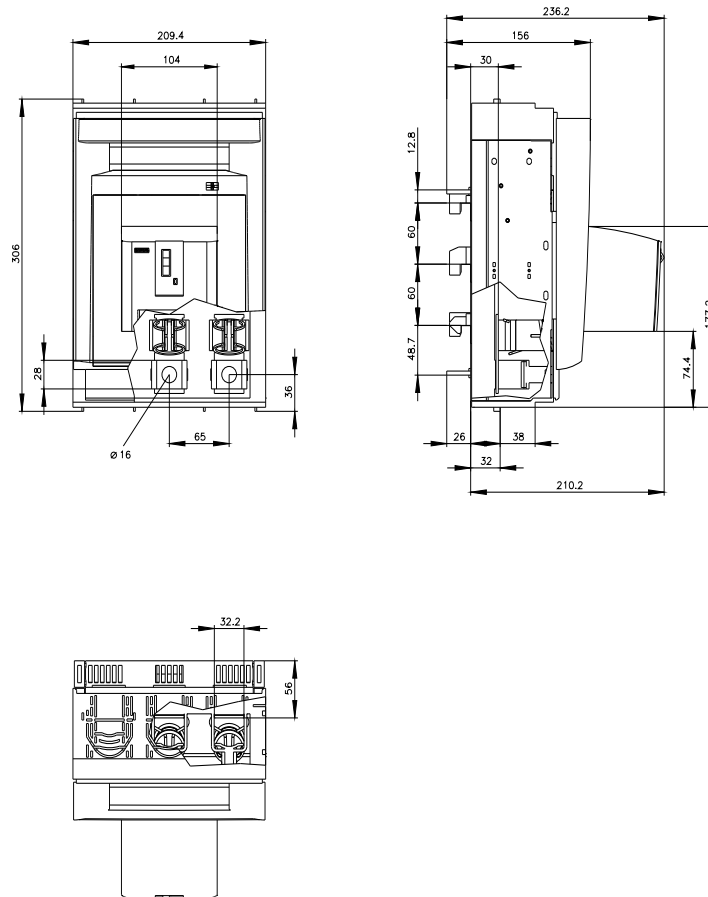
<https://www.siemens.com/cax>

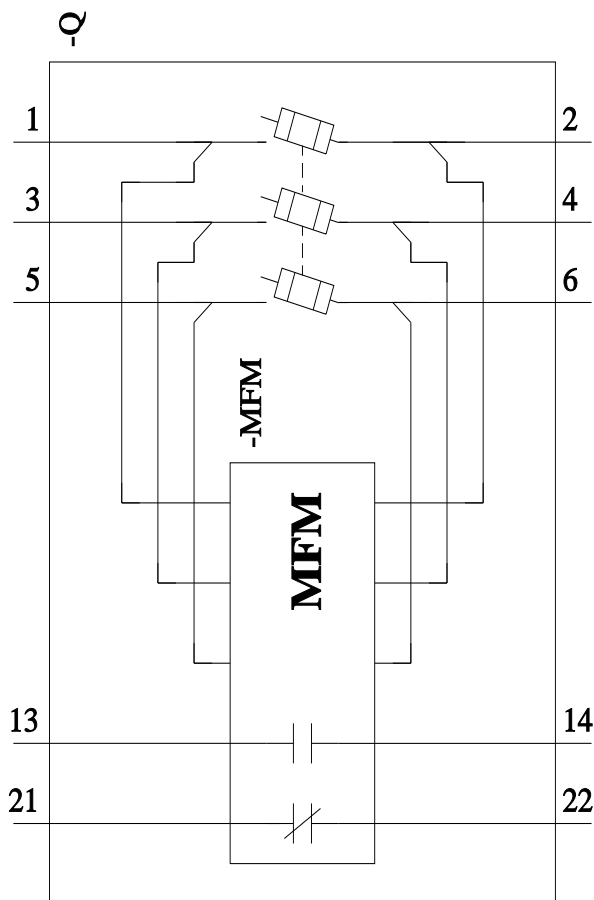
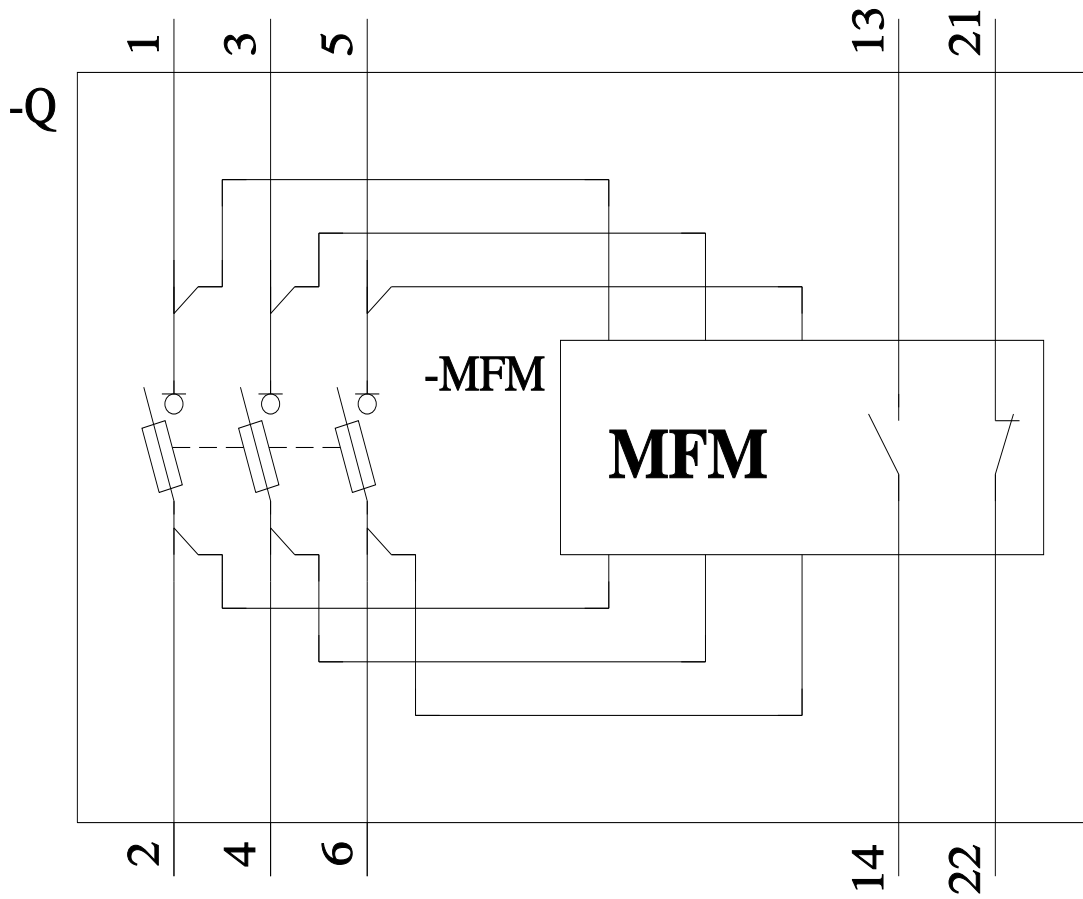
Tender specifications

<https://www.siemens.com/specifications>

Characteristic curves

[https://curves.simaris.siemens.com/curves/<mmp\\_prod\\_noCOMP='HAUPT'></mmp\\_prod\\_no>](https://curves.simaris.siemens.com/curves/<mmp_prod_noCOMP='HAUPT'></mmp_prod_no>)





last modified:

3/29/2026

