



Empty enclosure for position switch 3SE5162 Metal enclosure XL, 56 mm wide  
Device connection 3x(M20 x 1.5) IP66/IP67 without actuator head

product brand name	SIRIUS		
product designation	enclosure EN50041 long for standard position switch + turquoise cover		
product type designation	3SE5		
<b>General technical data</b>			
insulation voltage rated value	400 V		
degree of pollution	class 3		
protection class IP	IP66/IP67		
shock resistance			
• according to IEC 60068-2-27	30 g / 11 ms		
vibration resistance according to IEC 60068-2-6	0.35 mm/5 g		
reference code according to IEC 81346-2	U		
Substance Prohibitance (Date)	07/01/2006		
SVHC substance name	Imidazolidine-2-thione (2-imidazoline-2-thiol) CAS-No. 96-45-7		
Net Weight	0.418 kg		
length of the sensor	100 mm		
width of the sensor	56 mm		
<b>Ambient conditions</b>			
ambient temperature			
• during operation	-25 ... +85 °C		
• during storage	-40 ... +90 °C		
explosion protection category for dust	none		
<b>Enclosure</b>			
design of the housing	block, wide		
material of the enclosure	metal		
coating of the enclosure	cathodic dip coating		
design of the housing according to standard	No		
<b>Drive Head</b>			
design of the actuating element	Other, without, empty enclosure		
cable entry type	3x (M20 x 1.5)		
<b>Installation/ mounting/ dimensions</b>			
mounting position	any		
fastening method	screw fixing		
design of the interface for safety-related communication	without		
<b>Communication/ Protocol</b>			
design of the interface	without		
<b>Approvals Certificates</b>			
General Product Approval	Test Certificates	other	Environment



Environment



Further information

Information on the packaging

<https://support.industry.siemens.com/cs/ww/en/view/109813875>

Information for data generation and storage

<https://support.industry.siemens.com/cs/ww/en/view/109995012>

Information- and Downloadcenter (Catalogs, Brochures,...)

<https://www.siemens.com/ic10>

Industry Mall (Online ordering system)

<https://mall.industry.siemens.com/mall/en/en/Catalog/product?mlfb=3SE5162-0AA00>

Cax online generator

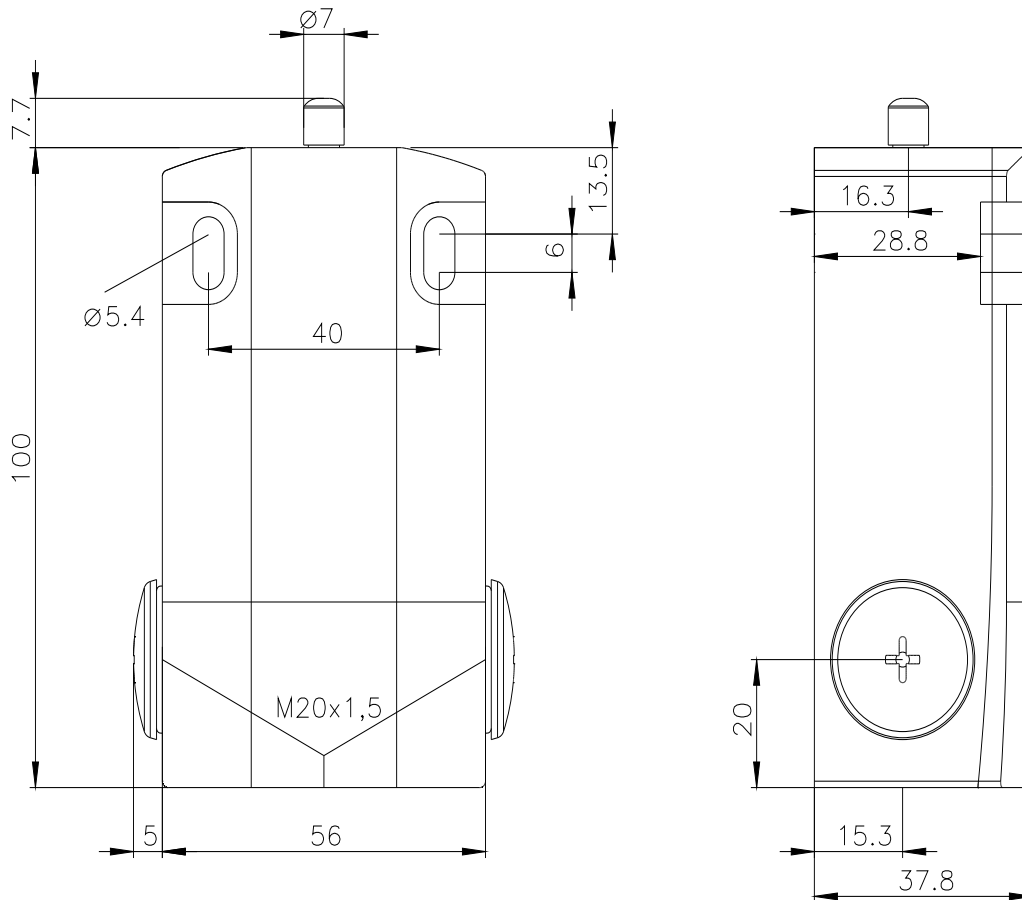
<https://support.automation.siemens.com/WW/CAXorder/default.aspx?lang=en&mlfb=3SE5162-0AA00>

Service&Support (Manuals, Certificates, Characteristics, FAQs,...)

<https://support.industry.siemens.com/cs/ww/en/ps/3SE5162-0AA00>

Image database (product images, 2D dimension drawings, 3D models, device circuit diagrams, EPLAN macros, ...)

[https://www.automation.siemens.com/bilddb/cax\\_de.aspx?mlfb=3SE5162-0AA00&lang=en](https://www.automation.siemens.com/bilddb/cax_de.aspx?mlfb=3SE5162-0AA00&lang=en)



last modified:

4/4/2026