

Actuator head for position switch 3SE51 Angular roller lever Stainless steel lever with Plastic roller 22 mm



product brand name	SIRIUS		
product designation	actuator head for position switch		
product type designation	3SE5		
manufacturer's article number			
<ul style="list-style-type: none"> <li>of the supplied actuator head for position switches</li> </ul>	<a href="#">3SE5000-0AF03</a>		
<b>General technical data</b>			
product function positive opening	Yes		
shock resistance			
<ul style="list-style-type: none"> <li>according to IEC 60068-2-27</li> </ul>	30 g / 11 ms		
vibration resistance			
<ul style="list-style-type: none"> <li>according to IEC 60068-2-6</li> </ul>	0.35 mm/5 g		
mechanical service life (operating cycles) typical	15 000 000		
material of the enclosure of the switch head	plastic		
reference code according to IEC 81346-2	T		
active principle	mechanical		
Substance Prohibitance (Date)	07/01/2006		
Net Weight	0.042 kg		
minimum actuating force in directions of actuation	10 N		
<b>Ambient conditions</b>			
ambient temperature			
<ul style="list-style-type: none"> <li>during operation</li> <li>during storage</li> </ul>	-25 ... +85 °C -40 ... +90 °C		
explosion protection category for dust	none		
<b>Enclosure</b>			
coating of the enclosure	Other types		
<b>Drive Head</b>			
design of the actuating element	Angular roller lever, high-grade steel lever, plastic roller		
standard-compliant actuator head	EN 50041		
shape of the switch head	roller		
outer diameter of the switch head	22 mm		
<b>Installation/ mounting/ dimensions</b>			
mounting position	any		
fastening method	lockable plug-in fixing		
design of the interface for safety-related communication	without		
<b>Communication/ Protocol</b>			
design of the interface	without		
<b>Approvals Certificates</b>			
General Product Approval	Test Certificates	other	Environment

#### Further information

**Information on the packaging**

<https://support.industry.siemens.com/cs/ww/en/view/109813875>

**Information for data generation and storage**

<https://support.industry.siemens.com/cs/ww/en/view/109995012>

**Information- and Downloadcenter (Catalogs, Brochures,...)**

<https://www.siemens.com/ic10>

**Industry Mall (Online ordering system)**

<https://mall.industry.siemens.com/mall/en/en/Catalog/product?mlfb=3SE5000-0AF03>

**Cax online generator**

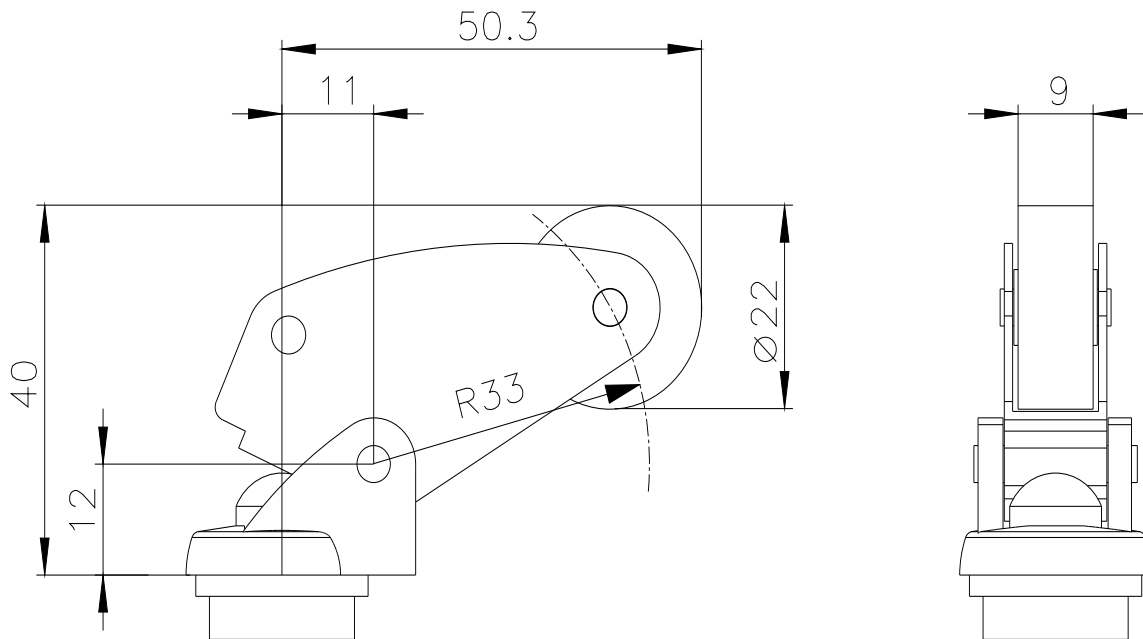
<https://support.automation.siemens.com/WW/CAXorder/default.aspx?lang=en&mlfb=3SE5000-0AF03>

**Service&Support (Manuals, Certificates, Characteristics, FAQs,...)**

<https://support.industry.siemens.com/cs/ww/en/ps/3SE5000-0AF03>

**Image database (product images, 2D dimension drawings, 3D models, device circuit diagrams, EPLAN macros, ...)**

[https://www.automation.siemens.com/bilddb/cax\\_de.aspx?mlfb=3SE5000-0AF03&lang=en](https://www.automation.siemens.com/bilddb/cax_de.aspx?mlfb=3SE5000-0AF03&lang=en)



last modified:

4/4/2026 