



separate actuator, radius actuator right for position switch with tumbler
3SE5312/3SE5322 and AS-i 3SF13 und position switch with separate actuator
3SE51/3SE52 and AS-i 3SF11/3SF12

product brand name	SIRIUS		
product designation	actuator		
product type designation	3SE5		
General technical data			
shock resistance			
• according to IEC 60068-2-27	30 g / 11 ms		
vibration resistance			
• according to IEC 60068-2-6	0.35 mm/5 g		
mechanical service life (operating cycles) typical	1 000 000		
reference code according to IEC 81346-2	T		
active principle	mechanical		
Substance Prohibitance (Date)	07/01/2006		
SVHC substance name	Lead CAS-No. 7439-92-1		
Net Weight	0.083 kg		
Ambient conditions			
ambient temperature			
• during operation	-25 ... +85 °C		
• during storage	-40 ... +90 °C		
Drive Head			
design of the actuating element	radius actuator, right		
Installation/ mounting/ dimensions			
mounting position	any		
fastening method	screw fixing		
Approvals Certificates			
General Product Approval	Test Certificates	other	Environment



[Type Test Certificates/Test Report](#)

[Confirmation](#)

[Environmental Confirmations](#)

Further information

Information on the packaging

<https://support.industry.siemens.com/cs/ww/en/view/109813875>

Information for data generation and storage

<https://support.industry.siemens.com/cs/ww/en/view/109995012>

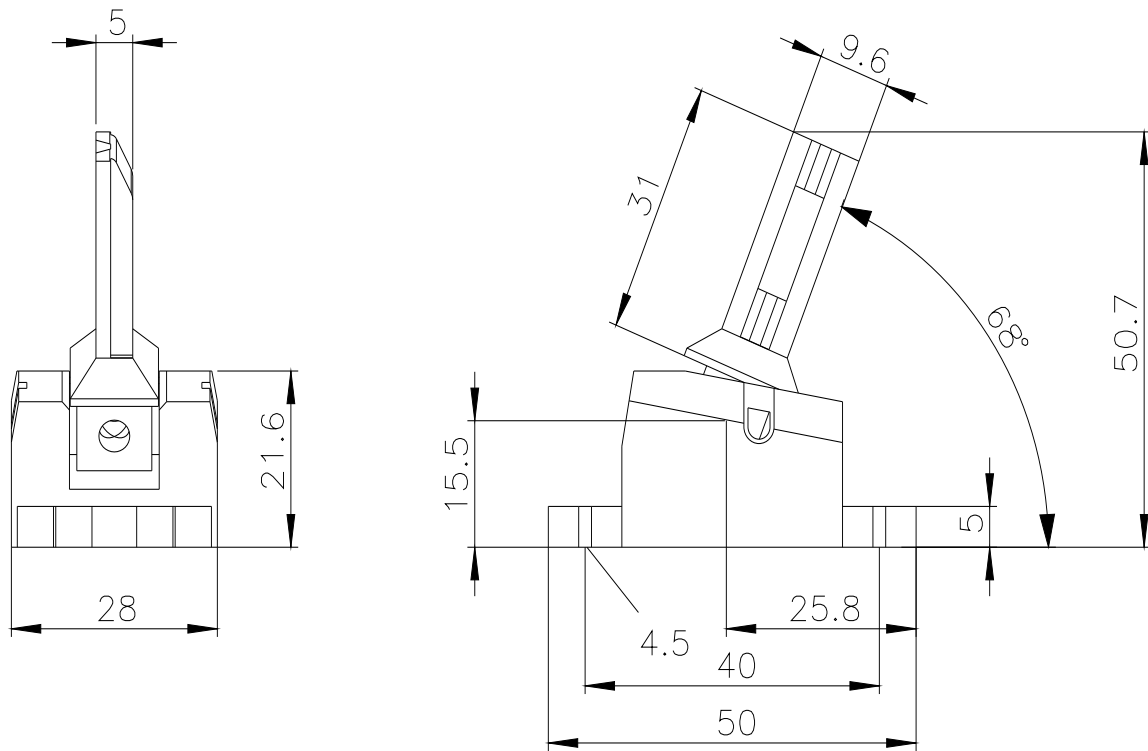
Information- and Downloadcenter (Catalogs, Brochures,...)

<https://www.siemens.com/ic10>

Industry Mall (Online ordering system)

<https://mall.industry.siemens.com/mall/en/en/Catalog/product?mlfb=3SE5000-0AV06>

Cax online generator



last modified:

4/4/2026 