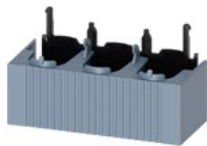




terminal cover with reach-around protection, for size NH00 for busbar mounting with screw terminal, accessory for fuse switch disconnecter 3NP1



Model		
product brand name	SETRON	
product designation	Terminal cover with reach-around protection	
design of the product	accessories for 3NP1 fuse switch disconnectors	
suitability for use	for 3NP1, 3-pole, NH00, busbar mounting	
Accessories		
accessories	for size NH00 for busbar mounting with screw terminals	
Mechanical Design		
Net Weight	87 g	
Approvals Certificates		
Environment	General Product Approval	Maritime application

[Environmental Con-  
firmations](#)

[Environmental Con-  
firmations](#)



[Miscellaneous](#)



### Further information

**Information on the packaging**

<https://support.industry.siemens.com/cs/ww/en/view/109813875>

**Information for data generation and storage**

<https://support.industry.siemens.com/cs/ww/en/view/109995012>

**Information- and Downloadcenter (Catalogs, Brochures,...)**

<https://www.siemens.com/lowvoltage/catalogs>

**Industry Mall (Online ordering system)**

<https://mall.industry.siemens.com/mall/en/en/Catalog/product?mlfb=3NP1933-1CC00>

**Service&Support (Manuals, Certificates, Characteristics, FAQs,...)**

<https://support.industry.siemens.com/cs/ww/en/ps/3NP1933-1CC00>

**Image database (product images, 2D dimension drawings, 3D models, device circuit diagrams, ...)**

[https://www.automation.siemens.com/bilddb/cax\\_en.aspx?mlfb=3NP1933-1CC00](https://www.automation.siemens.com/bilddb/cax_en.aspx?mlfb=3NP1933-1CC00)

**CAX-Online-Generator**

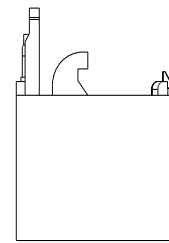
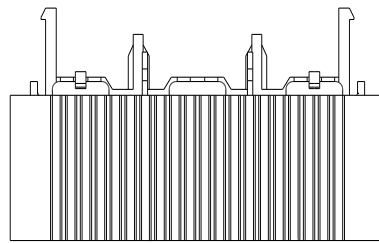
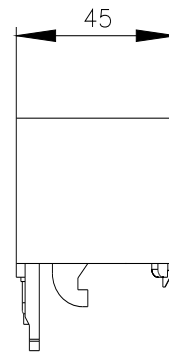
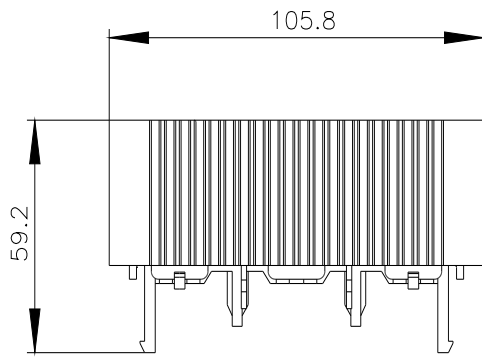
<https://www.siemens.com/cax>

**Tender specifications**

<https://www.siemens.com/specifications>

**Characteristic curves**

[https://curves.simaris.siemens.com/curves/<mmp\\_prod\\_noCOMP="HAUPT"></mmp\\_prod\\_no>](https://curves.simaris.siemens.com/curves/<mmp_prod_noCOMP=)



---

last modified:

4/12/2025 

