

Pin busbar, 16 mm<sup>2</sup> connection: 3x 2-phase touch-safe

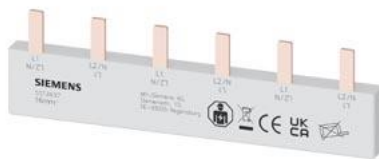


Figure similar

product brand name	SENTRON
product designation	Pin busbar
design of the product	3x (1PH+N)
design of the phase tap	L1/L2 oder L1/N
<b>General technical data</b>	
compatibility	for 3 MCBs (2P/1P+N)
design of pole	2P / 1P+N
phase number	2
operational current rated value	80 A
suitability for interaction devices with auxiliary switch	No
suitability for interaction devices with N conductor	Yes
suitability for use	RCCB 2P N right
color	light grey
<b>Product details</b>	
product feature attachable arc fault detection device	No
product feature insulated	Yes
product function	
• suitable for compact devices	No
• can be cut	No
number of devices suitable for fitting	3
type of electrical connection	Pin
<b>Mechanical Design</b>	
module width	18 mm
height	19 mm
width	7 mm
length	105 mm
number of modular width units	6
cross-section	16 mm <sup>2</sup>
angle of the pin of busbar	0°
Net Weight	42 g
<b>Approvals Certificates</b>	
Environment	General Product Approval

[Environmental Con-  
firmations](#)

[Environmental Con-  
firmations](#)

[Miscellaneous](#)



## Further information

### Information on the packaging

<https://support.industry.siemens.com/cs/ww/en/view/109813875>

### Information for data generation and storage

<https://support.industry.siemens.com/cs/ww/en/view/109995012>

### Information- and Downloadcenter (Catalogs, Brochures,...)

<https://www.siemens.com/lowvoltage/catalogs>

### Industry Mall (Online ordering system)

<https://mall.industry.siemens.com/mall/en/en/Catalog/product?mlfb=5ST3637>

### Service&Support (Manuals, Certificates, Characteristics, FAQs,...)

<https://support.industry.siemens.com/cs/ww/en/ps/5ST3637>

### Image database (product images, 2D dimension drawings, 3D models, device circuit diagrams, ...)

[https://www.automation.siemens.com/bilddb/cax\\_en.aspx?mlfb=5ST3637](https://www.automation.siemens.com/bilddb/cax_en.aspx?mlfb=5ST3637)

### CAX-Online-Generator

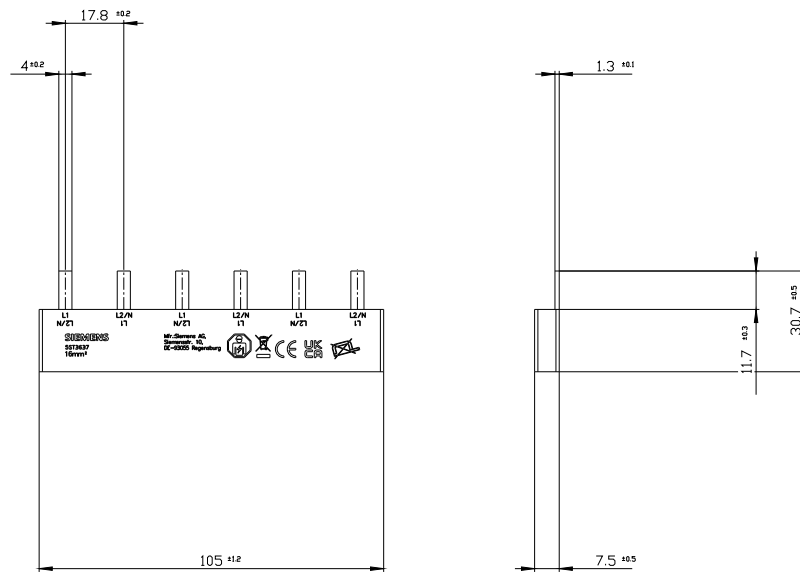
<https://www.siemens.com/cax>

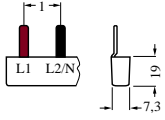
### Tender specifications

<https://www.siemens.com/specifications>

### Characteristic curves

[https://curves.simaris.siemens.com/curves/<mmp\\_prod\\_noCOMP="HAUPT"></mmp\\_prod\\_no>](https://curves.simaris.siemens.com/curves/<mmp_prod_noCOMP=)





---

last modified:

1/15/2026 

