



coupling link 24 V DC, screw terminal, for mounting on coil connections of the contactors 3RT2.2 connection B1/B2 for 1 NO

product brand name	SIRIUS
product category	Coupling links
product designation	Coupling link
product type designation	3RH29
<b>General technical data</b>	
size of contactor	S0
product component protective wiring	Yes
insulation voltage rated value	300 V
degree of pollution	3
protection class IP on the front	IP20
Substance Prohibitance (Date)	10/01/2009
SVHC substance name	Lead CAS-No. 7439-92-1 2-methyl-1-(4-methylthiophenyl)-2-morpholinopropan-1-one CAS-No. 71868-10-5 Melamine CAS-No. 108-78-1
Net Weight	0.072 kg
type of voltage of the control supply voltage	DC
control supply voltage 1 at DC rated value	24 V
operating range factor control supply voltage rated value of magnet coil at DC	
• initial value	0.7
• full-scale value	1.25
number of NO contacts for auxiliary contacts instantaneous contact	1
operational current of auxiliary contacts at AC-12	
• at 24 V	6 A
• at 230 V	6 A
operational current of auxiliary contacts at AC-15	
• at 24 V	3 A
• at 230 V	3 A
operational current of auxiliary contacts at DC-13	
• at 24 V	1 A
• at 110 V	0.2 A
• at 220 V	0.1 A
<b>Ambient conditions</b>	
ambient temperature	
• during operation	-25 ... +60 °C
• during storage	-40 ... +80 °C
<b>Installation/ mounting/ dimensions</b>	
mounting position	any

<b>fastening method</b>	direct mounting
<b>height</b>	35 mm
<b>width</b>	45 mm
<b>depth</b>	50 mm

### Connections/ Terminals

<b>connectable conductor cross-section for auxiliary contacts</b>	
<ul style="list-style-type: none"> <li>• solid or stranded</li> </ul>	0.5 ... 2.5 mm <sup>2</sup>
<ul style="list-style-type: none"> <li>• finely stranded with core end processing</li> </ul>	0.5 ... 1.5 mm <sup>2</sup>
<b>type of connectable conductor cross-sections</b>	
<ul style="list-style-type: none"> <li>• for auxiliary contacts <ul style="list-style-type: none"> <li>— solid</li> </ul> </li> </ul>	2x (0.5 ... 1.5 mm <sup>2</sup> ), 2x (0.75 ... 2.5 mm <sup>2</sup> )
<ul style="list-style-type: none"> <li>— finely stranded with core end processing</li> </ul>	2x (0.5 ... 1.5 mm <sup>2</sup> )

### Approvals Certificates

Environmental Product Declaration	
<ul style="list-style-type: none"> <li>• global warming potential [CO2 eq] / during manufacturing</li> </ul>	0.34 kg
<ul style="list-style-type: none"> <li>• global warming potential [CO2 eq] / during operation</li> </ul>	0.562 kg
<ul style="list-style-type: none"> <li>• global warming potential [CO2 eq] / after end of life</li> </ul>	0.0172 kg
<ul style="list-style-type: none"> <li>• global warming potential [CO2 eq] / total</li> </ul>	0.92 kg

<b>Environment</b>	<b>General Product Approval</b>	<b>Maritime application</b>
--------------------	---------------------------------	-----------------------------

[Environmental Con-  
firmations](#)



### Maritime application



### Further information

**Information on the packaging**

<https://support.industry.siemens.com/cs/ww/en/view/109813875>

**Information for data generation and storage**

<https://support.industry.siemens.com/cs/ww/en/view/109995012>

**Information- and Downloadcenter (Catalogs, Brochures,...)**

<https://www.siemens.com/ic10>

**Industry Mall (Online ordering system)**

<https://mall.industry.siemens.com/mall/en/en/Catalog/product?mlfb=3RH2924-1GP11>

**Cax online generator**

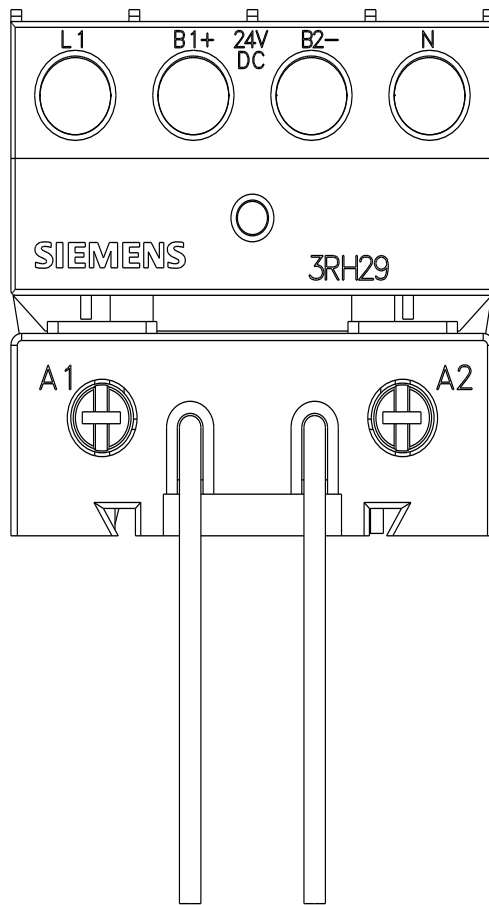
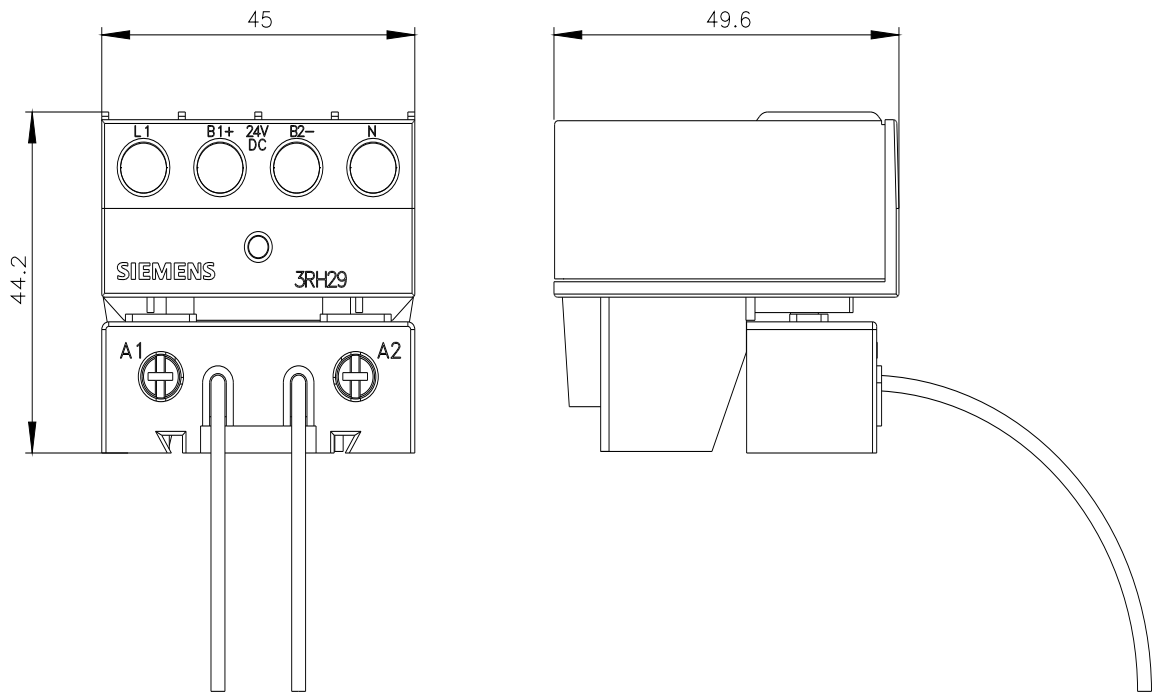
<https://support.automation.siemens.com/WW/CAXorder/default.aspx?lang=en&mlfb=3RH2924-1GP11>

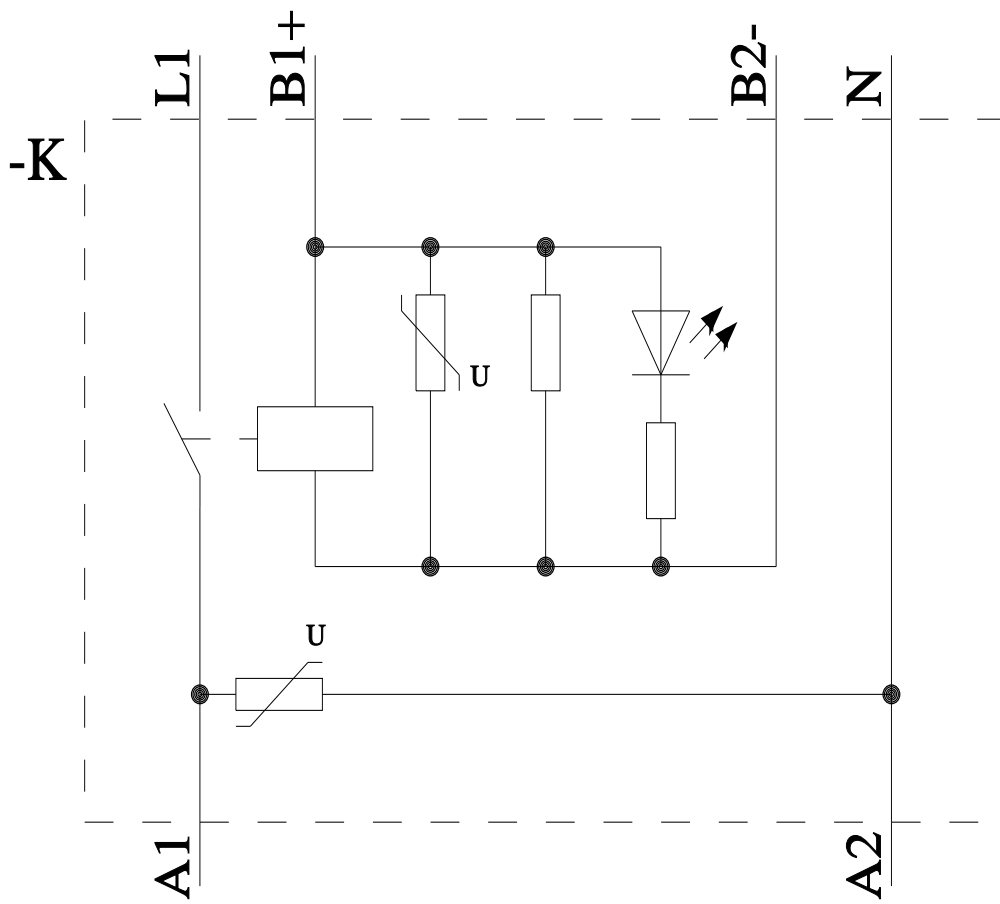
**Service&Support (Manuals, Certificates, Characteristics, FAQs,...)**

<https://support.industry.siemens.com/cs/ww/en/ps/3RH2924-1GP11>

**Image database (product images, 2D dimension drawings, 3D models, device circuit diagrams, EPLAN macros, ...)**

[https://www.automation.siemens.com/bilddb/cax\\_de.aspx?mlfb=3RH2924-1GP11&lang=en](https://www.automation.siemens.com/bilddb/cax_de.aspx?mlfb=3RH2924-1GP11&lang=en)





last modified:

8/8/2025 