



Accessory for 3KD size 3 Direct operating mechanism, for front operating mechanism, grey, Standard version can be locked in OFF position with three padlocks

Model		
product brand name	SETRON	
product designation	Accessories for switch disconnectors	
design of the product	Direct operating mechanism	
type of the driving mechanism	Manual operating mechanism	
protection class IP on the front	IP30	
Suitability		
suitability for use	For 3KD, size 3	
Appearance		
color of the actuating element	gray	
Product details		
product feature interlock	Yes	
product feature can be locked into OFF position	Yes	
display version for switch position indicator	ON-OFF-TEST	
Mechanical Design		
height	100 mm	
width	116 mm	
depth	77 mm	
Net Weight	217 g	
Approvals Certificates		
Environment	General Product Approval	Maritime application

[Environmental Conformations](#)

[Environmental Conformations](#)



[Miscellaneous](#)



Further information

Information on the packaging

<https://support.industry.siemens.com/cs/ww/en/view/109813875>

Information for data generation and storage

<https://support.industry.siemens.com/cs/ww/en/view/109995012>

Information- and Downloadcenter (Catalogs, Brochures,...)

<https://www.siemens.com/lowvoltage/catalogs>

Industry Mall (Online ordering system)

<https://mall.industry.siemens.com/mall/en/en/Catalog/product?mlfb=3KD9301-1>

Service&Support (Manuals, Certificates, Characteristics, FAQs,...)

<https://support.industry.siemens.com/cs/ww/en/ps/3KD9301-1>

Image database (product images, 2D dimension drawings, 3D models, device circuit diagrams, ...)

https://www.automation.siemens.com/bilddb/cax_en.aspx?mlfb=3KD9301-1

CAx-Online-Generator

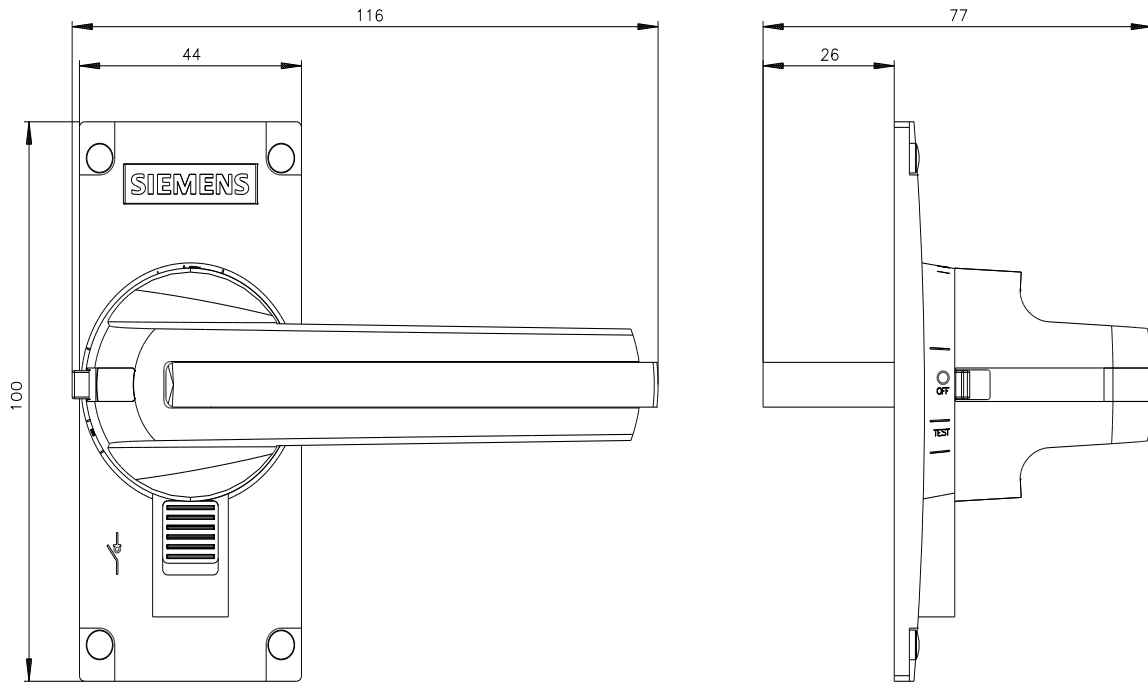
<https://www.siemens.com/cax>

Tender specifications

<https://www.siemens.com/specifications>

Characteristic curves

https://curves.simaris.siemens.com/curves/<mmp_prod_noCOMP='HAUPT'></mmp_prod_no>



last modified:

4/3/2025 

