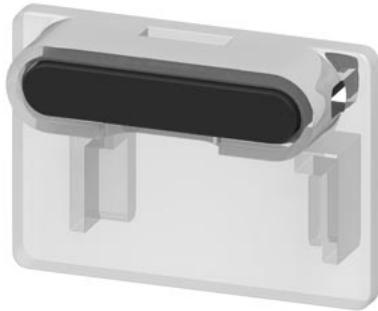


cover sealing, protection against accidental manual operation, for contactors 3RT2 and auxiliary contactors 3RH2, (not suitable for coupling contactors), multi-unit packaging, pack = 5 units



product brand name	SIRIUS
product category	Sealing covers
product designation	Sealing cover
product type designation	3RT29

### General technical data

certificate of suitability	CE
Substance Prohibittance (Date)	10/01/2009
Net Weight	0.002 kg

### UL/CSA ratings

UL File Number (CCN)	E31519 (NLDX, NLDX7)
----------------------	----------------------

### Ambient conditions

ambient temperature	
<ul style="list-style-type: none"> <li>during operation</li> <li>during storage</li> </ul>	<ul style="list-style-type: none"> <li>-25 ... +60 °C</li> <li>-50 ... +80 °C</li> </ul>

### Electrical Safety

touch protection against electrical shock	finger-safe with cover
---	------------------------

### Approvals Certificates

#### Environmental Product Declaration

<ul style="list-style-type: none"> <li>global warming potential [CO2 eq] / during manufacturing</li> <li>global warming potential [CO2 eq] / during operation</li> <li>global warming potential [CO2 eq] / after end of life</li> <li>global warming potential [CO2 eq] / total</li> </ul>	<ul style="list-style-type: none"> <li>0.0885 kg</li> <li>6.96 kg</li> <li>-0.0061 kg</li> <li>7.04 kg</li> </ul>
--	---

Environment	General Product Approval
-------------	--------------------------



[Environmental Confirmations](#)



EMV	Test Certificates	Maritime application
-----	-------------------	----------------------



[Special Test Certificate](#)



Maritime application	other	Railway
----------------------	-------	---------



Further information

Information on the packaging

<https://support.industry.siemens.com/cs/ww/en/view/109813875>

Information for data generation and storage

<https://support.industry.siemens.com/cs/ww/en/view/109995012>

Information- and Downloadcenter (Catalogs, Brochures,...)

<https://www.siemens.com/ic10>

Industry Mall (Online ordering system)

<https://mall.industry.siemens.com/mall/en/en/Catalog/product?mlfb=3RT2916-4MA10>

Cax online generator

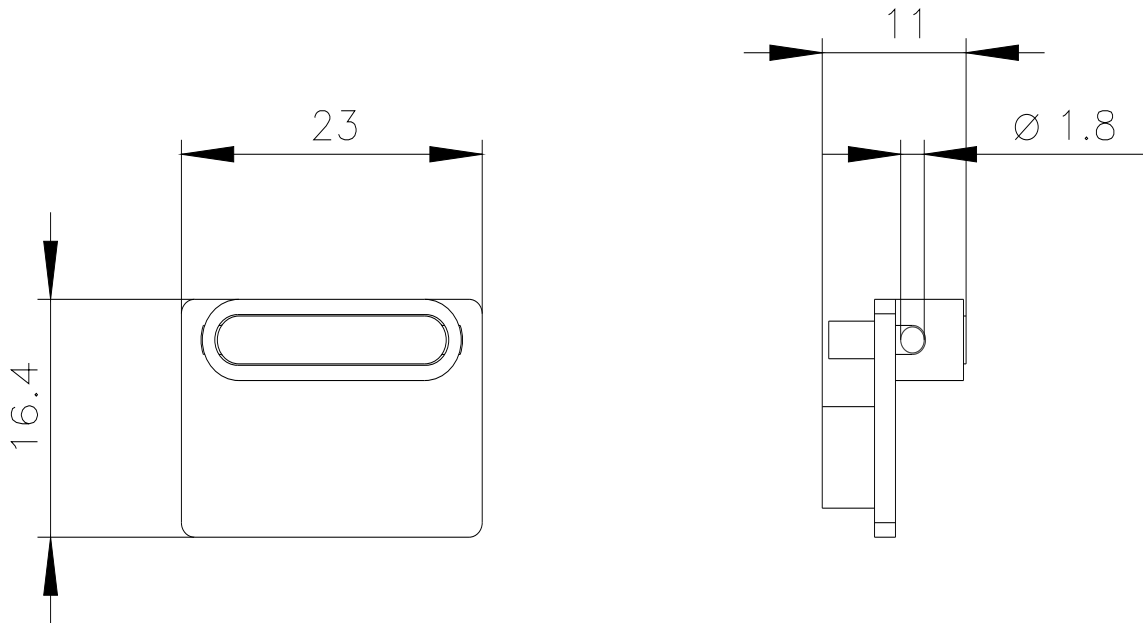
<https://support.automation.siemens.com/WW/CAXorder/default.aspx?lang=en&mlfb=3RT2916-4MA10>

Service&Support (Manuals, Certificates, Characteristics, FAQs,...)

<https://support.industry.siemens.com/cs/ww/en/ps/3RT2916-4MA10>

Image database (product images, 2D dimension drawings, 3D models, device circuit diagrams, EPLAN macros, ...)

[https://www.automation.siemens.com/bilddb/cax\\_de.aspx?mlfb=3RT2916-4MA10&lang=en](https://www.automation.siemens.com/bilddb/cax_de.aspx?mlfb=3RT2916-4MA10&lang=en)



last modified:

11/13/2025