



Backing plate round, for EMERGENCY STOP mushroom-type actuator, yellow, self-adhesive, outer diameter 75 mm, inside diameter 23 mm, with inscription: NOT-HALT, EMERGENCY STOP, EMERGENZA, EMERGENCIA 4 languages: DE,EN,IT,SP

product brand name	SIRIUS ACT	
product designation	EMERGENCY STOP backing plate	
product type designation	3SU1	
General technical data		
shock resistance for railway applications according to EN 61373	Category 1, Class B	
vibration resistance for railway applications according to EN 61373	Category 1, Class B	
Substance Prohibitation (Date)	10/01/2014	
Net Weight	1 g	
Ambient conditions		
ambient temperature		
• during operation	70 ... -25 °C	
• during storage and transport	80 ... -40 °C	
Accessories		
material of accessory	Plastic	
fastening method of label	stick	
marking of backing plate	NOT-HALT, EMERGENCY STOP, EMERGENZA, EMERGENCIA (de, en, it, sp)	
shape of backing plate	Round	
color of backing plate	yellow (plate); black (text)	
product function illuminated backing plate	No	
Approvals Certificates		
Environmental Product Declaration		
• global warming potential [CO2 eq] / during manufacturing	0.566 kg	
• global warming potential [CO2 eq] / during operation	0.235 kg	
• global warming potential [CO2 eq] / after end of life	-0.0145 kg	
• global warming potential [CO2 eq] / total	0.787 kg	
Environment	General Product Approval	Maritime application
Environmental Confirmations		
Maritime application	other	



[Confirmation](#)

Further information

Information on the packaging

<https://support.industry.siemens.com/cs/ww/en/view/109813875>

Information for data generation and storage

<https://support.industry.siemens.com/cs/ww/en/view/109995012>

Information- and Downloadcenter (Catalogs, Brochures,...)

<https://www.siemens.com/ic10>

Industry Mall (Online ordering system)

<https://mall.industry.siemens.com/mall/en/en/Catalog/product?mlfb=3SU1900-0BC31-0NB0>

Cax online generator

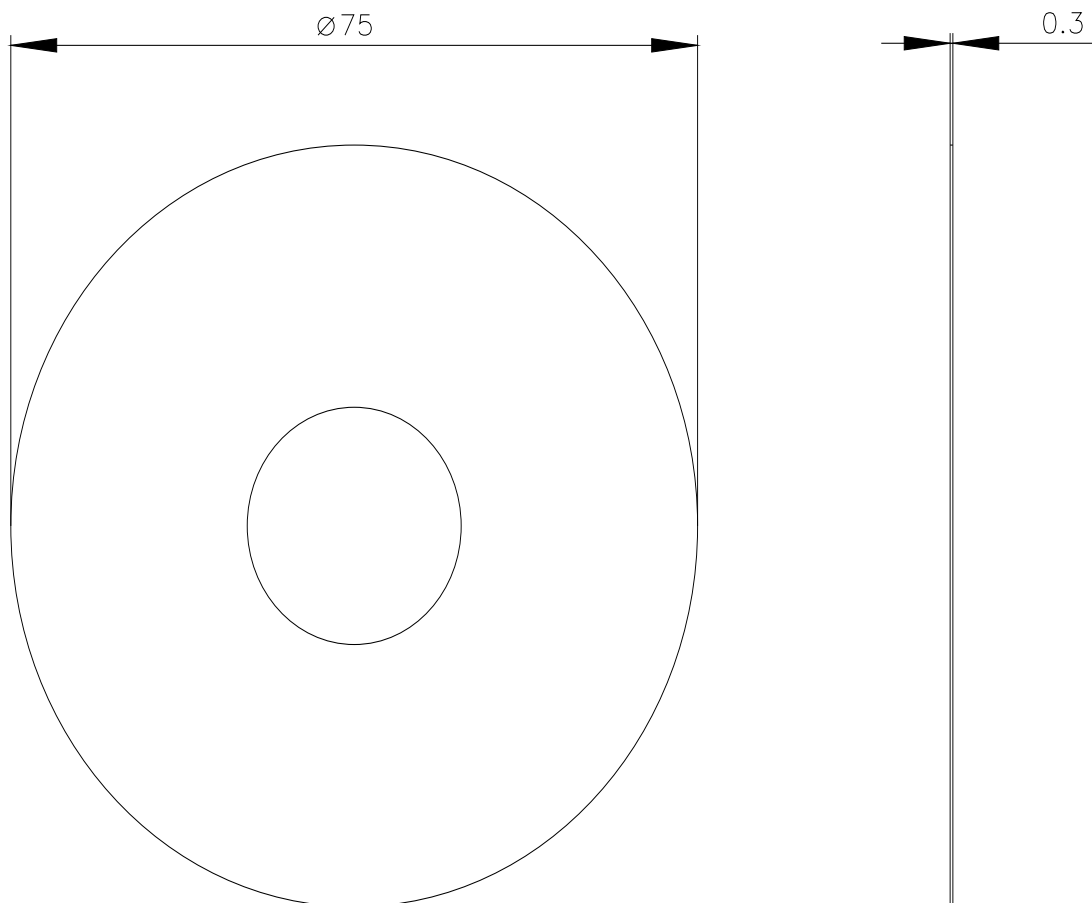
<https://support.automation.siemens.com/WW/CAXorder/default.aspx?lang=en&mlfb=3SU1900-0BC31-0NB0>

Service&Support (Manuals, Certificates, Characteristics, FAQs,...)

<https://support.industry.siemens.com/cs/ww/en/ps/3SU1900-0BC31-0NB0>

Image database (product images, 2D dimension drawings, 3D models, device circuit diagrams, EPLAN macros, ...)

https://www.automation.siemens.com/bilddb/cax_de.aspx?mlfb=3SU1900-0BC31-0NB0&lang=en



last modified:

4/2/2025