



Cable connection cover with reach-around protection, for size NH00 for floor mounting with screw terminal, accessory for fuse switch disconnecter 3NP1

Model		
product brand name	SETRON	
product designation	Terminal cover with reach-around protection	
design of the product	accessories for 3NP1 fuse switch disconnectors	
suitability for use	for 3NP1, 3-pole, NH00, floor mounting, flat connector	
Accessories		
accessories	for size NH00 for floor mounting with screw terminals	
Mechanical Design		
Net Weight	112 g	
Approvals Certificates		
Environment	General Product Approval	Maritime application

[Environmental Confirmations](#)

[Environmental Confirmations](#)

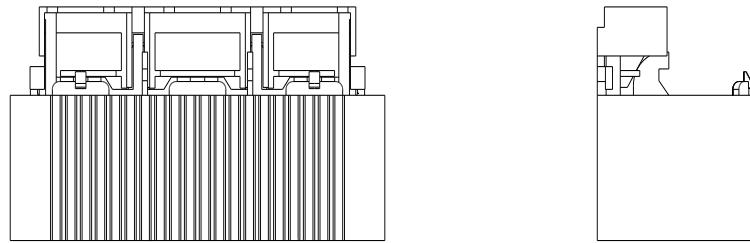
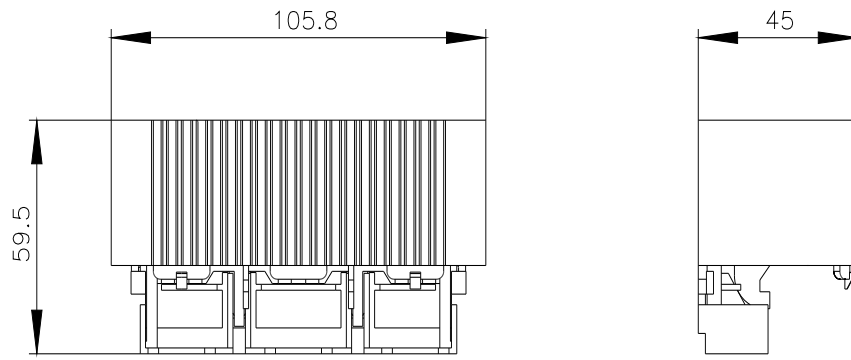


[Miscellaneous](#)



**Further information**

- Information on the packaging  
<https://support.industry.siemens.com/cs/ww/en/view/109813875>
- Information for data generation and storage  
<https://support.industry.siemens.com/cs/ww/en/view/109995012>
- Information- and Downloadcenter (Catalogs, Brochures,...)  
<https://www.siemens.com/lowvoltage/catalogs>
- Industry Mall (Online ordering system)  
<https://mall.industry.siemens.com/mall/en/en/Catalog/product?mlfb=3NP1933-1CD00>
- Service&Support (Manuals, Certificates, Characteristics, FAQs,...)  
<https://support.industry.siemens.com/cs/ww/en/ps/3NP1933-1CD00>
- Image database (product images, 2D dimension drawings, 3D models, device circuit diagrams, ...)  
[https://www.automation.siemens.com/bilddb/cax\\_en.aspx?mlfb=3NP1933-1CD00](https://www.automation.siemens.com/bilddb/cax_en.aspx?mlfb=3NP1933-1CD00)
- CAx-Online-Generator  
<https://www.siemens.com/cax>
- Tender specifications  
<https://www.siemens.com/specifications>
- Characteristic curves  
[https://curves.simaris.siemens.com/curves/<mmp\\_prod\\_noCOMP="HAUPT"></mmp\\_prod\\_no>](https://curves.simaris.siemens.com/curves/<mmp_prod_noCOMP=)



---

last modified:

4/12/2025 

