

AI 1,5 - 8 RD - Ferrule

3201136

<https://www.phoenixcontact.com/ro/produse/3201136>

Vă rugăm să țineți cont de faptul că datele afișate în acest document PDF au fost generate din catalogul nostru online. Datele complete sunt disponibile în documentația pentru utilizator. În cazul descărcărilor, se aplică Termenii și condițiile generale de utilizare ale companiei noastre.

Ferrule, sleeve length: 8 mm, color: red



Avantajele dumneavoastră

- The ferrules with plastic sleeve are made from soft tin-plated electrolytic copper
- In terms of dimensions, they correspond to DIN 46228-4: 1990-09

Date comerciale

Număr articol	3201136
Unitate de ambalare	100 Bucată
Cantitate minimă pentru comandă	100 Bucată
Cod de achiziție	05
Cod produs	BH3411
Pagina de catalog	Pagina 483 (C-3-2019)
GTIN	4017918094683
Greutate pe bucată (inclusiv ambalajul)	0,118 g
Greutate pe bucată (fără ambalaj)	0,118 g
Cod tarifar vamal	85369010
Țara de origine	DE

AI 1,5 - 8 RD - Ferrule

3201136

<https://www.phoenixcontact.com/ro/produse/3201136>



Date tehnic

Product properties

Product type	Cable end sleeve
Conductor category	stranded conductors, class 2, 5, 6 / B, C, K, M

Data management status

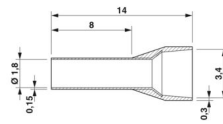
Article revision	05
------------------	----

Connection data

Conductor connection

Conductor cross section flexible max.	1.5 mm ²
Conductor cross section AWG max.	16
Stripping length	11 mm

Dimensions

Dimensional drawing	
Sleeve length	8 mm
Maximum stripping length	11 mm
Ferrule diameter	1.7 mm
Sleeve wall thickness	0.15 mm
Insulating collar thickness	0.3 mm
Inner dimensions of the insulating collar	3.4 mm

Material specifications

Color	red
Material	CU-DHP
Flammability rating according to UL 94	HB
Coating	tin-plated (galvanic)
Components	free from silicone and halogen

Mechanical properties

Technical data

Sleeve length	8 mm
---------------	------

Environmental and real-life conditions

Ambient conditions

Permanent temperature	105 °C (-40 °C no load / 0 °C dynamic load)
Short-term temperature	120 °C

AI 1,5 - 8 RD - Ferrule

3201136

<https://www.phoenixcontact.com/ro/produse/3201136>



Standards and regulations

Design according to standard

Special color

AI 1,5 - 8 RD - Ferrule

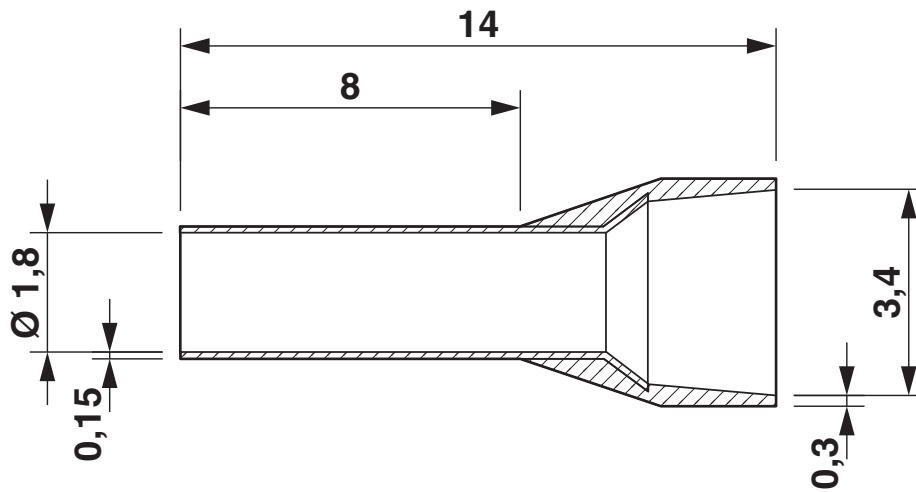
3201136

<https://www.phoenixcontact.com/ro/produse/3201136>



Desene

Dimensional drawing



AI 1,5 - 8 RD - Ferrule

3201136

<https://www.phoenixcontact.com/ro/produse/3201136>



Aprobări

To download certificates, visit the product detail page: <https://www.phoenixcontact.com/ro/produse/3201136>



cULus Listed

ID de înregistrare: E488001

AI 1,5 - 8 RD - Ferrule

3201136

<https://www.phoenixcontact.com/ro/produse/3201136>



Clasificări

ECLASS

ECLASS-11.0	27400201
ECLASS-13.0	27400201
ECLASS-12.0	27400201

ETIM

ETIM 9.0	EC000005
----------	----------

UNSPSC

UNSPSC 21.0	27121700
-------------	----------

AI 1,5 - 8 RD - Ferrule



3201136

<https://www.phoenixcontact.com/ro/produse/3201136>

Environmental product compliance

EU RoHS

Îndeplinește cerințele conform directivei RoHS	Da, Nicio reglementare privind excepțiile
--	---

China RoHS

Environment friendly use period (EFUP)	EFUP-E
	Nu există substanțe periculoase peste valorile limită

EU REACH SVHC

Trimitere la substanța candidată REACH (nr. CAS)	Nicio substanță cu un procentaj masic mai mare de 0,1 %
--	---

AI 1,5 - 8 RD - Ferrule

3201136

<https://www.phoenixcontact.com/ro/produce/3201136>



Accesorii

CRIMPFOX CENTRUS 6S - Crimping pliers

1213144

<https://www.phoenixcontact.com/ro/produce/1213144>



Crimping pliers, for uninsulated and insulated ferrules, DIN 46228 Part 1 and 4, from 0.14 mm² ... 6 mm², also for TWIN ferrules up to 2 x 4 mm², automatic cross section adjustment, lateral insertion, equipped with fall protection

CRIMPFOX CENTRUS 6H - Crimping pliers

1213146

<https://www.phoenixcontact.com/ro/produce/1213146>



Crimping pliers, for uninsulated and insulated ferrules, DIN 46228 Part 1 and 4, from 0.14 mm² ... 6 mm², also for TWIN ferrules up to 2 x 4 mm², automatic cross section adjustment, lateral insertion, equipped with fall protection

AI 1,5 - 8 RD - Ferrule

3201136

<https://www.phoenixcontact.com/ro/produce/3201136>



CRIMPFOX CENTRUS 10S - Crimping pliers

1213154

<https://www.phoenixcontact.com/ro/produce/1213154>



Crimping pliers, for uninsulated and insulated ferrules, DIN 46228 Part 1 and 4, from 0.14 mm² ... 10 mm², also for TWIN ferrules up to 2 x 4 mm², automatic cross section adjustment, lateral insertion, equipped with fall protection

CRIMPFOX CENTRUS 10H - Crimping pliers

1213156

<https://www.phoenixcontact.com/ro/produce/1213156>



Crimping pliers, for uninsulated and insulated ferrules, DIN 46228 Part 1 and 4, from 0.14 mm² ... 10 mm², also for TWIN ferrules up to 2 x 4 mm², automatic cross section adjustment, lateral insertion, equipped with fall protection

AI 1,5 - 8 RD - Ferrule

3201136

<https://www.phoenixcontact.com/ro/produce/3201136>



CRIMPFOX 2,5-M - Crimping pliers

1212719

<https://www.phoenixcontact.com/ro/produce/1212719>



Crimping pliers, for ferrules without insulating collar according to DIN 46228 Part 1 and ferrules with insulating collar according to DIN 46228 Part 4, 0.25 mm² ... 2.5 mm², lateral entry, trapezoidal crimp

CRIMPFOX 6-M - Crimping pliers

1212720

<https://www.phoenixcontact.com/ro/produce/1212720>



Crimping pliers, for ferrules without insulating collar according to DIN 46228 Part 1 and ferrules with insulating collar according to DIN 46228 Part 4, 0.25 mm² ... 6.0 mm², lateral entry, trapezoidal crimp

AI 1,5 - 8 RD - Ferrule

3201136

<https://www.phoenixcontact.com/ro/produce/3201136>



CRIMPFOX 6 - Crimping pliers

1212034

<https://www.phoenixcontact.com/ro/produce/1212034>



Crimping pliers, for ferrules without insulating collar according to DIN 46228 Part 1 and ferrules with insulating collar according to DIN 46228 Part 4, 0.25 mm² ... 6.0 mm², lateral entry, trapezoidal crimp

CRIMPFOX DUO 10 - Crimping pliers

1031721

<https://www.phoenixcontact.com/ro/produce/1031721>



Crimping pliers, contact connection type: Insulated and uninsulated ferrules, standards/specifications: DIN 46228-1, DIN 46228-4, UL 486F, form A, E, F, min. cross section: 0.14 mm², max. cross section: 10 mm², for TWIN ferrules up to 2 x 4 mm², automatic cross section adjustment, rotating die, lateral and frontal insertion, compression: Trapezoidal crimp, black/green

AI 1,5 - 8 RD - Ferrule

3201136

<https://www.phoenixcontact.com/ro/produce/3201136>



CRIMPFOX 10T-F - Crimping pliers

1134913

<https://www.phoenixcontact.com/ro/produce/1134913>



Crimping pliers, contact connection type: Insulated and uninsulated ferrules, standards/specifications: DIN 46228-1, DIN 46228-4, min. cross section: 0.14 mm², max. cross section: 10 mm², For TWIN ferrules up to 2 x 4 mm², automatic cross section adjustment, frontal insertion, compression: Trapezoidal crimp, black

CRIMPFOX DUO 16S - Crimping pliers

1202877

<https://www.phoenixcontact.com/ro/produce/1202877>



Crimping pliers, contact type: insulated and uninsulated ferrules, standards/regulations: DIN 46228-1, DIN 46228-4, UL 486F, Form A, E, F, cross-section, minimum: 0.14 mm², cross-section, maximum: 16 mm², for TWIN ferrules up to 2 mm² x 6 mm², automatic cross-section adjustment, rotating dies, lateral and front entry, crimping: square

Phoenix Contact 2024 © - Toate drepturile rezervate
<https://www.phoenixcontact.com>

PHOENIX CONTACT România
Splaiul Unirii 165 Timpuri Noi Square TNO1, Etaj 1
Bucuresti 030133
+40 21 350 88 12 - 3
sales.ro@phoenixcontact.com