



Mounting kit, for conversion to installation on standard mounting rail, for Size NH00 for floor mounting, accessory for fuse switch disconnecter 3NP1

Model		
product brand name	SETRON	
product designation	mounting set	
design of the product	accessories for 3NP1 fuse switch disconnectors	
suitability for use	for 3NP1, 3-pole, 4-pole, NH00, floor mounting	
Accessories		
accessories	for modification to DIN rail mounting, for size NH00 for floor mounting	
Mechanical Design		
Net Weight	47 g	
Approvals Certificates		
Environment	General Product Approval	Maritime application

[Environmental Con-  
firmations](#)

[Environmental Con-  
firmations](#)



[Miscellaneous](#)



### Further information

#### Information on the packaging

<https://support.industry.siemens.com/cs/ww/en/view/109813875>

#### Information for data generation and storage

<https://support.industry.siemens.com/cs/ww/en/view/109995012>

#### Information- and Downloadcenter (Catalogs, Brochures,...)

<https://www.siemens.com/lowvoltage/catalogs>

#### Industry Mall (Online ordering system)

<https://mall.industry.siemens.com/mall/en/en/Catalog/product?mlfb=3NP1933-1EB00>

#### Service&Support (Manuals, Certificates, Characteristics, FAQs,...)

<https://support.industry.siemens.com/cs/ww/en/ps/3NP1933-1EB00>

#### Image database (product images, 2D dimension drawings, 3D models, device circuit diagrams, ...)

[https://www.automation.siemens.com/bilddb/cax\\_en.aspx?mlfb=3NP1933-1EB00](https://www.automation.siemens.com/bilddb/cax_en.aspx?mlfb=3NP1933-1EB00)

#### CAX-Online-Generator

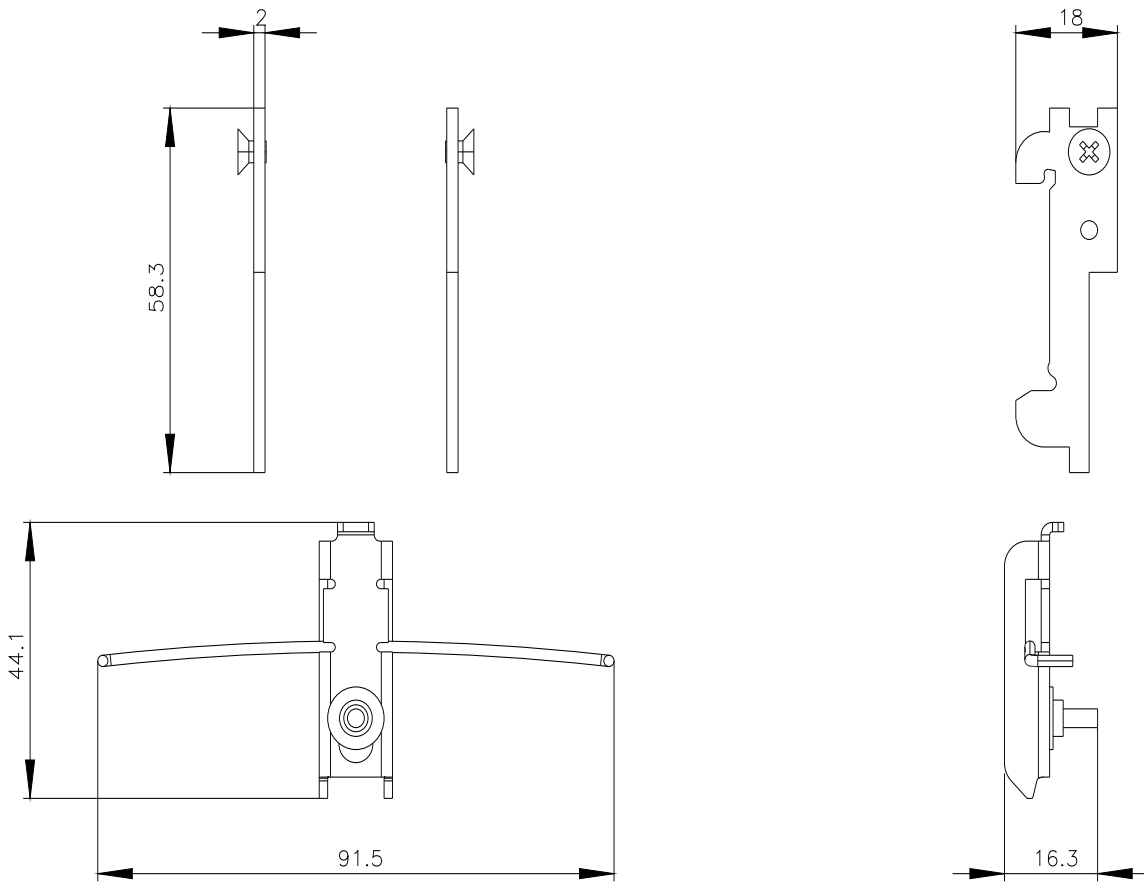
<https://www.siemens.com/cax>

#### Tender specifications

<https://www.siemens.com/specifications>

#### Characteristic curves

[https://curves.simaris.siemens.com/curves/<mmp\\_prod\\_noCOMP="HAUPT"></mmp\\_prod\\_no>](https://curves.simaris.siemens.com/curves/<mmp_prod_noCOMP=)



last modified:

4/12/2025 

