

Auxiliary switch transverse 2 NO, screw terminal for circuit breaker 3RV2



|  |                               |
|--|-------------------------------|
| product brand name   | SIRIUS                        |
| product category   | Auxiliary switch              |
| product designation  | auxiliary switch              |
| design of the product  | transverse auxiliary switches |
| product type designation   | 3RV29                         |
| <b>General technical data</b>                                      |                               |
| certificate of suitability   | CE / UL / CSA / CCC           |
| size of the circuit-breaker  | S00, S0, S2, S3               |
| display version LED  | No                            |
| insulation voltage rated value                                     | 300 V                         |
| degree of pollution  | 3                             |
| surge voltage resistance rated value                               | 4 kV                          |
| protection class IP on the front                                   |                               |
| • according to IEC 60529   | IP20                          |
| •  | IP20                          |
| reference code according to IEC 81346-2                            | Q                             |
| Substance Prohibition (Date)                                       | 10/01/2009                    |
| Net Weight   | 18 g                          |
| number of NC contacts for auxiliary contacts instantaneous contact | 0                             |
| number of NO contacts for auxiliary contacts instantaneous contact | 2                             |
| number of CO contacts of auxiliary contacts instantaneous contact  | 0                             |
| operational current of auxiliary contacts at AC-12                 |                               |
| • at 24 V  | 2.5 A                         |
| • at 230 V   | 2.5 A                         |
| operational current of auxiliary contacts at AC-12 maximum         | 2.5 A                         |
| operational current of auxiliary contacts at AC-15                 |                               |
| • at 24 V  | 2 A                           |
| • at 230 V   | 0.5 A                         |
| operational current of auxiliary contacts at DC-13                 |                               |
| • at 24 V  | 1 A                           |
| • at 48 V  | 0.3 A                         |
| • at 60 V  | 0.15 A                        |
| <b>Ambient conditions</b>  |                               |
| ambient temperature  |                               |
| • during operation   | -20 ... +60 °C                |
| • during storage   | -50 ... +80 °C                |
| Electrical Safety  |                               |

|  |   |
|--|---|
| protection class IP on the front according to IEC 60529                        | IP20  |
| touch protection on the front according to IEC 60529                           | finger-safe, for vertical contact from the front                      |
| <b>Installation/ mounting/ dimensions</b>                                      |   |
| fastening method   | plug-in fixing  |
| height   | 12 mm   |
| width  | 45 mm   |
| depth  | 17 mm   |
| <b>Connections/ Terminals</b>  |   |
| type of electrical connection for auxiliary and control circuit                | screw-type terminals  |
| connectable conductor cross-section for auxiliary contacts                     |   |
| • solid or stranded  | 0.5 ... 2.5 mm <sup>2</sup>   |
| • finely stranded with core end processing                                     | 0.5 ... 2.5 mm <sup>2</sup>   |
| type of connectable conductor cross-sections                                   |   |
| • for auxiliary contacts   |   |
| — solid  | 2x (0.5 ... 1.5 mm <sup>2</sup> ), 2x (0.75 ... 2.5 mm <sup>2</sup> ) |
| — finely stranded with core end processing                                     | 2x (0.5 ... 1.5 mm <sup>2</sup> ), 2x (0.75 ... 2.5 mm <sup>2</sup> ) |
| • for AWG cables for auxiliary contacts  | 2x (20 ... 14)  |
| AWG number as coded connectable conductor cross section for auxiliary contacts | 20 ... 14   |
| <b>Approvals Certificates</b>  |   |
| Environmental Product Declaration  |   |
| • global warming potential [CO2 eq] / during manufacturing                     | 0.238 kg  |
| • global warming potential [CO2 eq] / during operation                         | 4.2 kg  |
| • global warming potential [CO2 eq] / after end of life                        | 0.0053 kg   |
| • global warming potential [CO2 eq] / total                                    | 4.44 kg   |
| <b>Environment</b>   | <b>General Product Approval</b>                                       |

[Environmental Confirmations](#)



**Maritime application**



**other**



[Confirmation](#)

[Miscellaneous](#)

**Further information**

**Information on the packaging**

<https://support.industry.siemens.com/cs/ww/en/view/109813875>

**Information for data generation and storage**

<https://support.industry.siemens.com/cs/ww/en/view/109995012>

**Information- and Downloadcenter (Catalogs, Brochures,...)**

<https://www.siemens.com/ic10>

**Industry Mall (Online ordering system)**

<https://mall.industry.siemens.com/mall/en/en/Catalog/product?mlfb=3RV2901-1F>

**Cax online generator**

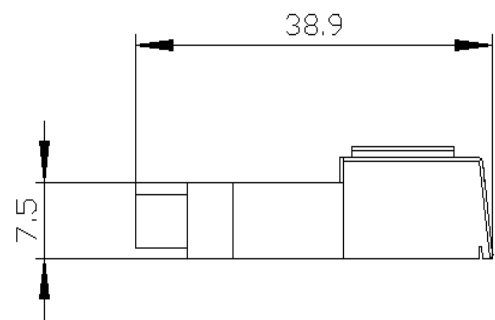
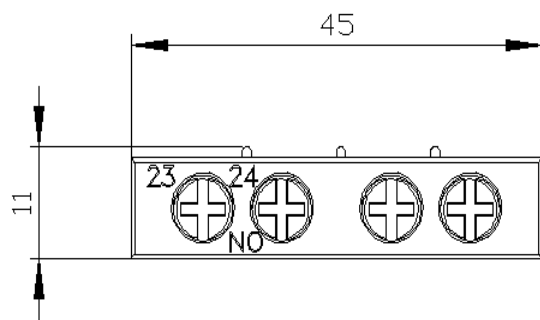
<https://support.automation.siemens.com/WW/CAXorder/default.aspx?lang=en&mlfb=3RV2901-1F>

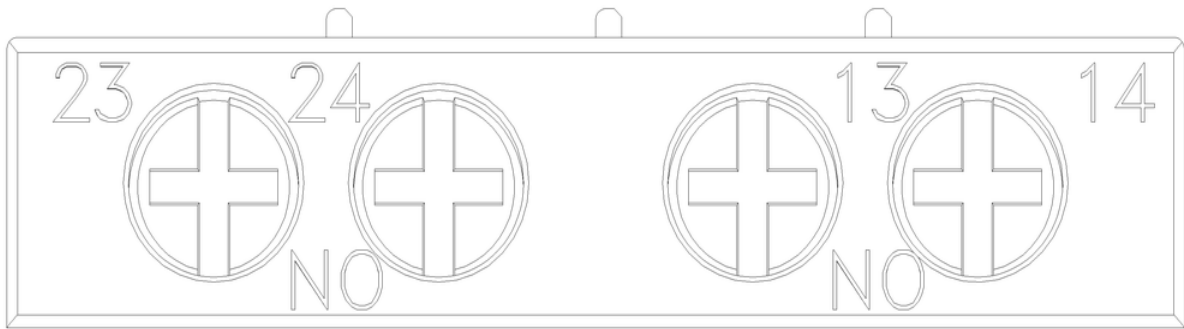
**Service&Support (Manuals, Certificates, Characteristics, FAQs,...)**

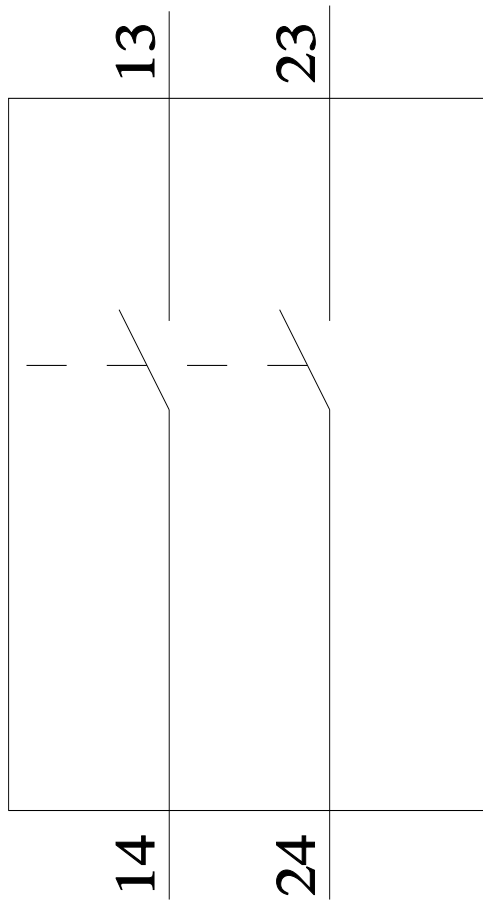
<https://support.industry.siemens.com/cs/ww/en/ps/3RV2901-1F>

**Image database (product images, 2D dimension drawings, 3D models, device circuit diagrams, EPLAN macros, ...)**

[https://www.automation.siemens.com/bilddb/cax\\_de.aspx?mlfb=3RV2901-1F&lang=en](https://www.automation.siemens.com/bilddb/cax_de.aspx?mlfb=3RV2901-1F&lang=en)







last modified:

7/22/2025 