



empty enclosure for position switch plastic 50 mm, device connection 2x (M20 x 1.5) with cover, color turquoise and plunger

product brand name	SIRIUS
product designation	empty enclosure EN 50047, plastic, wide, cover turquoise
product type designation	3SE5
General technical data	
degree of pollution	class 3
protection class IP	IP66/IP67
shock resistance	
• according to IEC 60068-2-27	30 g / 11 ms
vibration resistance	
• according to IEC 60068-2-6	0.35 mm/5 g
material of the enclosure of the switch head	plastic
reference code according to IEC 81346-2	U
repeat accuracy	0.05 mm
Substance Prohibitance (Date)	07/01/2006
SVHC substance name	Imidazolidine-2-thione (2-imidazoline-2-thiol) CAS-No. 96-45-7
Net Weight	0.07 kg
minimum actuating force in directions of actuation	20 N
length of the sensor	60.7 mm
width of the sensor	50 mm
Ambient conditions	
ambient temperature	
• during operation	-25 ... +85 °C
• during storage	-40 ... +90 °C
explosion protection category for dust	none
Enclosure	
design of the housing	block, wide
material of the enclosure	plastic
coating of the enclosure	Other types
design of the housing according to standard	No
Drive Head	
design of the actuating element	Rounded plunger, plastic plunger
standard-compliant actuator head	EN 50047, design B
shape of the switch head	rounded
design of the switching function	Positive opening with appropriate positive opening actuator head and switching element
cable entry type	2x (M20 x 1.5)
Installation/ mounting/ dimensions	
mounting position	any
fastening method	screw fixing

Connections/ Terminals

type of connectable conductor cross-sections

- solid 1x (0.5 ... 1.5 mm²), 2x (0.5 ... 0.75 mm²)
- finely stranded with core end processing 1x (0.5 ... 1.5 mm²), 2x (0.5 ... 0.75 mm²)
- for AWG cables solid 1x (20 ... 16), 2x (20 ... 18)
- for AWG cables stranded 1x (20 ... 16), 2x (20 ... 18)

design of the interface for safety-related communication

without

Communication/ Protocol

design of the interface

without

Approvals Certificates

General Product Approval

Test Certificates



[Type Test Certificates/Test Report](#)

other

Environment

[Confirmation](#)



[Environmental Confirmations](#)

Further information

Information on the packaging

<https://support.industry.siemens.com/cs/ww/en/view/109813875>

Information for data generation and storage

<https://support.industry.siemens.com/cs/ww/en/view/109995012>

Information- and Downloadcenter (Catalogs, Brochures,...)

<https://www.siemens.com/ic10>

Industry Mall (Online ordering system)

<https://mall.industry.siemens.com/mall/en/en/Catalog/product?mlfb=3SE5242-0AC05>

Cax online generator

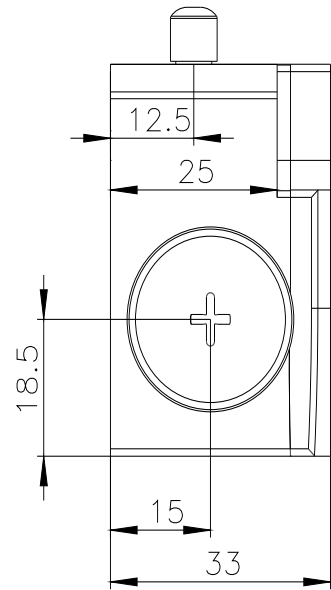
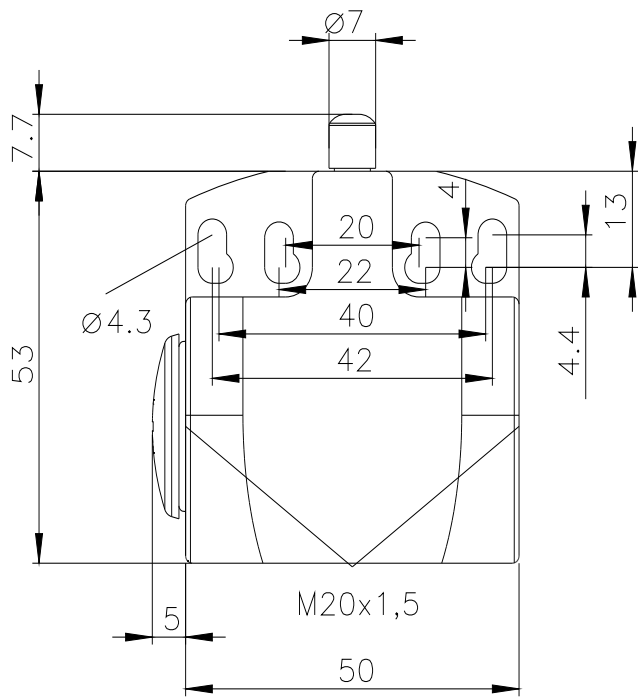
<https://support.automation.siemens.com/WW/CAXorder/default.aspx?lang=en&mlfb=3SE5242-0AC05>

Service&Support (Manuals, Certificates, Characteristics, FAQs,...)

<https://support.industry.siemens.com/cs/ww/en/ps/3SE5242-0AC05>

Image database (product images, 2D dimension drawings, 3D models, device circuit diagrams, EPLAN macros, ...)

https://www.automation.siemens.com/bilddb/cax_de.aspx?mlfb=3SE5242-0AC05&lang=en



last modified:

4/4/2026 