



separate actuator, universal radius actuator 'heavy duty' version vertical and horizontal adjustable, length = 77 mm for position switch with tumbler 3SE5312/3SE5322 and AS-i 3SF13 und position switch with separate actuator 3SE51/3SE52 and AS-i with separate actuator 3SF11/3SF12

product brand name	SIRIUS	
product designation	actuator	
product type designation	3SE5	
General technical data		
shock resistance		
• according to IEC 60068-2-27	30 g / 11 ms	
vibration resistance		
• according to IEC 60068-2-6	0.35 mm/5 g	
mechanical service life (operating cycles) typical	1 000 000	
reference code according to IEC 81346-2	T	
active principle	mechanical	
Substance Prohibitance (Date)	07/01/2006	
Net Weight	0.125 kg	
Ambient conditions		
ambient temperature		
• during operation	-25 ... +85 °C	
• during storage	-40 ... +90 °C	
Drive Head		
design of the actuating element	universal actuator	
Installation/ mounting/ dimensions		
mounting position	any	
fastening method	screw fixing	
Approvals Certificates		
General Product Approval	Test Certificates	other



[Type Test Certificates/Test Report](#)



other	Environment
-------	-------------

[Confirmation](#)

[Environmental Confirmations](#)

Further information

Information on the packaging

<https://support.industry.siemens.com/cs/ww/en/view/109813875>

Information for data generation and storage

<https://support.industry.siemens.com/cs/ww/en/view/109995012>

Information- and Downloadcenter (Catalogs, Brochures,...)

<https://www.siemens.com/ic10>

Industry Mall (Online ordering system)

<https://mall.industry.siemens.com/mall/en/en/Catalog/product?mlfb=3SE5000-0AV07>

Cax online generator

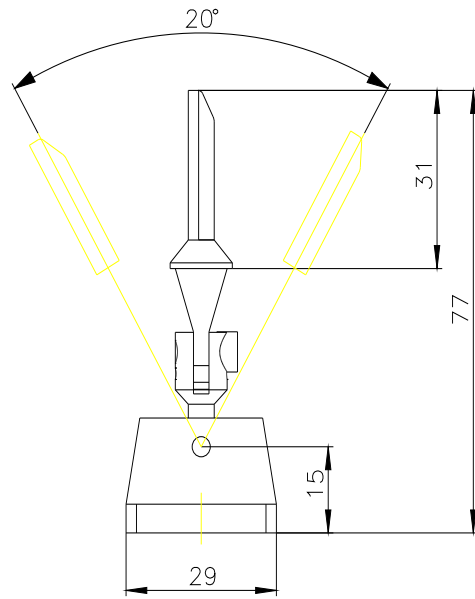
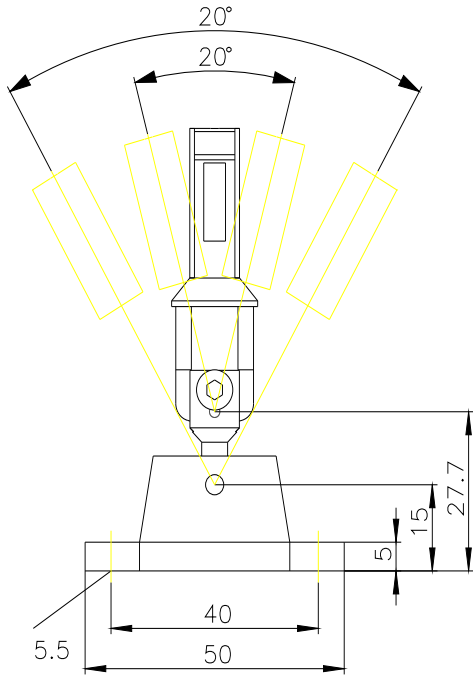
<https://support.automation.siemens.com/WW/CAXorder/default.aspx?lang=en&mlfb=3SE5000-0AV07>

Service&Support (Manuals, Certificates, Characteristics, FAQs,...)

<https://support.industry.siemens.com/cs/ww/en/ps/3SE5000-0AV07>

Image database (product images, 2D dimension drawings, 3D models, device circuit diagrams, EPLAN macros, ...)

https://www.automation.siemens.com/bilddb/cax_de.aspx?mlfb=3SE5000-0AV07&lang=en



last modified:

4/4/2026 