



safety position switch with separate actuator plastic enclosure, 31 mm according to EN 50047 1 NO/1 NC slow-action contacts with M12 plug, 5-pole, fixed and 2 LEDs yellow/green 24 V DC, 5 approach directions pin assignment: pin 1 = 21, pin 2 = 22 pin 3 = 14 and LED green, pin 4 = 13 and LED yellow, pin 5 = ground LED. The matching separate actuator 3SE5000-0AV0. must be ordered separately.

product brand name	SIRIUS
product designation	Mechanical safety switches
product type designation	3SE5
manufacturer's article number	3SE5000-0AV01 standard actuator, 3SE5000-0AV02 actuator with vertical fixing, 3SE5000-0AV03 actuator with transverse fixing, 3SE5000-0AV04 radius actuator, approach from left, 3SE5000-0AV05 universal actuator, 3SE5000-0AV06 radius actuator, approach from right, 3SE5000-0AV07 Heavy Duty actuator, 3SE5000-0AW42 actuator with vertical fixing, stainless steel socket, 3SE5000-0AW43 actuator with transverse fixing, stainless steel socket, 3SE5000-0AW51 stainless steel actuator, 3SE5000-0AW52 stainless steel actuator with vertical fixing, 3SE5000-0AW53 stainless steel actuator with transverse fixing, 3SE5000-0AW11 plastic actuator
<ul style="list-style-type: none"> of the optional actuators 	
suitability for use safety switch	Yes
General technical data	
product function positive opening	Yes
insulation voltage rated value	125 V
degree of pollution	class 3
surge voltage resistance rated value	1 kV
protection class IP	IP65
shock resistance	30 g / 11 ms
<ul style="list-style-type: none"> according to IEC 60068-2-27 	
vibration resistance	0.35 mm/5 g
<ul style="list-style-type: none"> according to IEC 60068-2-6 	
mechanical service life (operating cycles) typical	1 000 000
thermal current	4 A
material of the enclosure of the switch head	plastic
reference code according to IEC 81346-2	B
continuous current of the C characteristic MCB	1 A; for a short-circuit current smaller than 400 A
continuous current of the quick DIAZED fuse link	4 A; for a short-circuit current smaller than 400 A
continuous current of the DIAZED fuse link gG	4 A; for a short-circuit current smaller than 400 A
active principle	mechanical
repeat accuracy	0.05 mm
Substance Prohibitance (Date)	07/01/2006
SVHC substance name	Lead CAS-No. 7439-92-1 Imidazolidine-2-thione (2-imidazoline-2-thiol) CAS-No. 96-45-7
Net Weight	0.127 kg
minimum actuating force in directions of actuation	20 N
length of the sensor	104 mm
width of the sensor	31 mm
Ambient conditions	
ambient temperature	

<ul style="list-style-type: none"> during operation during storage 	-25 ... +60 °C -40 ... +90 °C		
explosion protection category for dust	none		
Main circuit			
design of the switching contact	mechanical		
operating frequency rated value	50 ... 60 Hz		
number of NC contacts for auxiliary contacts	1		
number of NO contacts for auxiliary contacts	1		
operational current at DC-13			
<ul style="list-style-type: none"> at 24 V rated value 	3 A		
Enclosure			
design of the housing	block, narrow		
material of the enclosure	plastic		
coating of the enclosure	Other types		
design of the housing according to standard	Yes		
Drive Head			
design of the actuating element	without		
standard-compliant actuator head	EN 50047		
design of the switching function	positive opening		
circuit principle	slow-action contacts		
number of switching contacts safety-related	1		
cable entry type	M12 plug		
design of plug-in connection	M12 plug, 5-pole: Pin 1 = terminal 21, Pin 2 = 22, Pin 3 = 13, Pin 4 = 14, Pin 5 = ground LED		
Installation/ mounting/ dimensions			
mounting position	any		
fastening method	screw fixing		
Connections/ Terminals			
type of electrical connection	M12 plug, fixed		
Supply voltage			
type of voltage of the supply voltage of the optional LED display	DC		
supply voltage of LED			
<ul style="list-style-type: none"> 	24 V		
design of the interface for safety-related communication	without		
Communication/ Protocol			
design of the interface	without		
Safety related data			
product function suitable for safety function	Yes		
service life maximum	20 a		
test wear-related service life necessary	Yes		
proportion of dangerous failures			
<ul style="list-style-type: none"> with low demand rate according to SN 31920 with high demand rate according to SN 31920 	20 % 20 %		
B10 value with high demand rate according to SN 31920	1 000 000		
failure rate [FIT] with low demand rate according to SN 31920	100 FIT		
ISO 13849			
device type according to ISO 13849-1	3		
IEC 61508			
safety device type according to IEC 61508-2	A		
Approvals Certificates			
General Product Approval	Test Certificates	other	Environment



[Type Test Certificates/Test Report](#)

[Confirmation](#)

[Environmental Confirmations](#)

Environment



Further information

Information on the packaging

<https://support.industry.siemens.com/cs/ww/en/view/109813875>

Information for data generation and storage

<https://support.industry.siemens.com/cs/ww/en/view/109995012>

Information- and Downloadcenter (Catalogs, Brochures,...)

<https://www.siemens.com/ic10>

Industry Mall (Online ordering system)

<https://mall.industry.siemens.com/mall/en/en/Catalog/product?mlfb=3SE5234-1RV40-1AF3>

Cax online generator

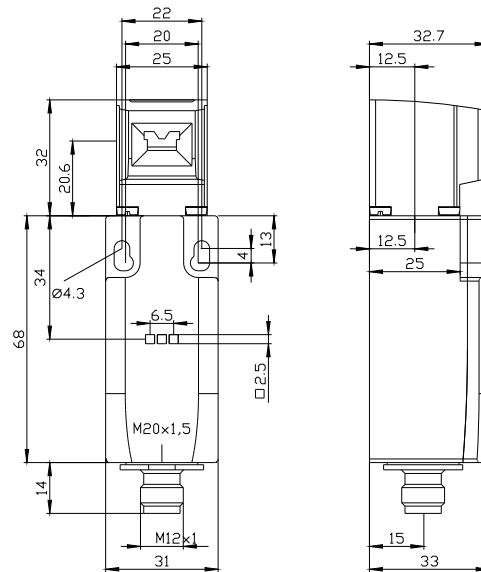
<https://support.automation.siemens.com/WW/CAXorder/default.aspx?lang=en&mlfb=3SE5234-1RV40-1AF3>

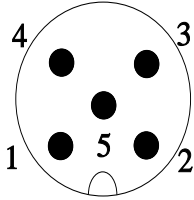
Service&Support (Manuals, Certificates, Characteristics, FAQs,...)

<https://support.industry.siemens.com/cs/ww/en/ps/3SE5234-1RV40-1AF3>

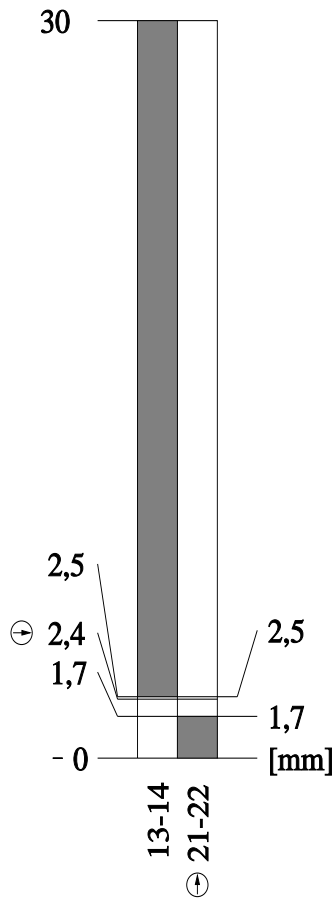
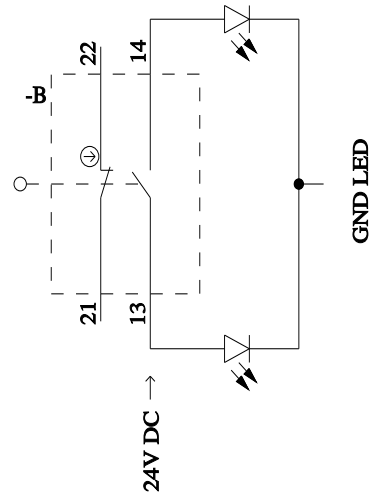
Image database (product images, 2D dimension drawings, 3D models, device circuit diagrams, EPLAN macros, ...)

https://www.automation.siemens.com/bilddb/cax_de.aspx?mlfb=3SE5234-1RV40-1AF3&lang=en





1	BN = Brown	→	21
2	WH = White	→	22
3	BU = Blue	→	14+LED-Green
4	BK = Black	→	13+LED-Yellow
5	GY = Grey	→	GND LED



last modified:

4/4/2026