



Backing plate round, for EMERGENCY STOP mushroom pushbutton, yellow, self-adhesive, outer diameter 75 mm, inside diameter 23 mm, with inscription: ARRÊT D'URGENCE



|                          |                              |
|--------------------------|------------------------------|
| product brand name       | SIRIUS ACT                   |
| product designation      | EMERGENCY STOP backing plate |
| product type designation | 3SU1                         |

**General technical data**

|   |                     |
|---|---------------------|
| shock resistance for railway applications according to EN 61373     | Category 1, Class B |
| vibration resistance for railway applications according to EN 61373 | Category 1, Class B |
| Substance Prohibitation (Date)                                      | 10/01/2014          |
| Net Weight  | 1 g                 |

**Ambient conditions**

|  |                                |
|--|--------------------------------|
| ambient temperature  |                                |
| <ul style="list-style-type: none"> <li>during operation</li> <li>during storage and transport</li> </ul> | 70 ... -25 °C<br>80 ... -40 °C |

**Accessories**

|  |                              |
|--|------------------------------|
| material of accessory                      | Plastic                      |
| fastening method of label                  | stick                        |
| marking of backing plate                   | ARRÊT D'URGENCE              |
| shape of backing plate                     | Round                        |
| color of backing plate                     | yellow (plate); black (text) |
| product function illuminated backing plate | No                           |

**Approvals Certificates**

|  |  |
|--|--|
| Environmental Product Declaration  |  |
| <ul style="list-style-type: none"> <li>global warming potential [CO2 eq] / during manufacturing</li> <li>global warming potential [CO2 eq] / during operation</li> <li>global warming potential [CO2 eq] / after end of life</li> <li>global warming potential [CO2 eq] / total</li> </ul> | 0.566 kg<br>0.235 kg<br>-0.0145 kg<br>0.787 kg |

|             |                          |                      |
|-------------|--------------------------|----------------------|
| Environment | General Product Approval | Maritime application |
|-------------|--------------------------|----------------------|

[Environmental Confirmations](#)



|                      |       |
|----------------------|-------|
| Maritime application | other |
|----------------------|-------|



[Confirmation](#)

#### Further information

**Information on the packaging**

<https://support.industry.siemens.com/cs/ww/en/view/109813875>

**Information for data generation and storage**

<https://support.industry.siemens.com/cs/ww/en/view/109995012>

**Information- and Downloadcenter (Catalogs, Brochures,...)**

<https://www.siemens.com/ic10>

**Industry Mall (Online ordering system)**

<https://mall.industry.siemens.com/mall/en/en/Catalog/product?mlfb=3SU1900-0BC31-0GQ0>

**Cax online generator**

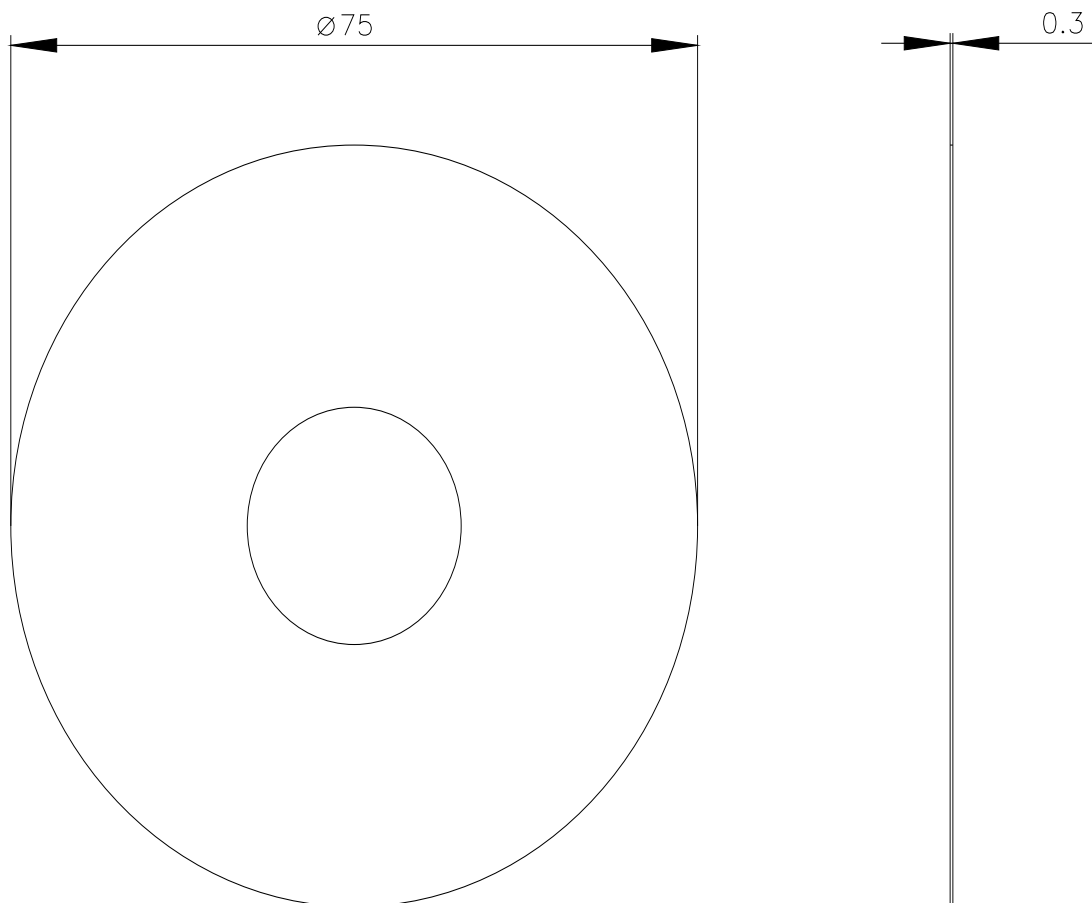
<https://support.automation.siemens.com/WW/CAXorder/default.aspx?lang=en&mlfb=3SU1900-0BC31-0GQ0>

**Service&Support (Manuals, Certificates, Characteristics, FAQs,...)**

<https://support.industry.siemens.com/cs/ww/en/ps/3SU1900-0BC31-0GQ0>

**Image database (product images, 2D dimension drawings, 3D models, device circuit diagrams, EPLAN macros, ...)**

[https://www.automation.siemens.com/bilddb/cax\\_de.aspx?mlfb=3SU1900-0BC31-0GQ0&lang=en](https://www.automation.siemens.com/bilddb/cax_de.aspx?mlfb=3SU1900-0BC31-0GQ0&lang=en)



last modified:

4/2/2025