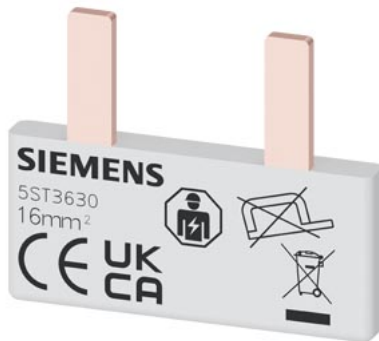




Pin busbar, 16 mm² connection: 2x 1-phase touch-safe



product brand name	SETRON
product designation	Pin busbar
design of the product	2x 1PH
design of the phase tap	L1/L1
General technical data	
compatibility	for 2 MCBs 1P
design of pole	1 pole
phase number	1
operational current rated value	80 A
suitability for interaction devices with auxiliary switch	No
suitability for interaction devices with N conductor	No
color	light grey
Product details	
product feature attachable arc fault detection device	No
product feature insulated	Yes
product function	
• suitable for compact devices	No
• can be cut	No
number of devices suitable for fitting	2
type of electrical connection	Pin
Mechanical Design	
module width	18 mm
height	14 mm
width	3 mm
length	33 mm
number of modular width units	2
cross-section	16 mm ²
angle of the pin of busbar	0°
Net Weight	9 g
Approvals Certificates	
Environment	General Product Approval
Environmental Conformations	Environmental Conformations
Confirmation	Miscellaneous
 EG-Konf.	
General Product Approval	other



Miscellaneous

Confirmation

Further information

Information on the packaging

<https://support.industry.siemens.com/cs/ww/en/view/109813875>

Information for data generation and storage

<https://support.industry.siemens.com/cs/ww/en/view/109995012>

Information- and Downloadcenter (Catalogs, Brochures,...)

<https://www.siemens.com/lowvoltage/catalogs>

Industry Mall (Online ordering system)

<https://mall.industry.siemens.com/mall/en/en/Catalog/product?mlfb=5ST3630>

Service&Support (Manuals, Certificates, Characteristics, FAQs,...)

<https://support.industry.siemens.com/cs/ww/en/ps/5ST3630>

Image database (product images, 2D dimension drawings, 3D models, device circuit diagrams, ...)

https://www.automation.siemens.com/bilddb/cax_en.aspx?mlfb=5ST3630

CAX-Online-Generator

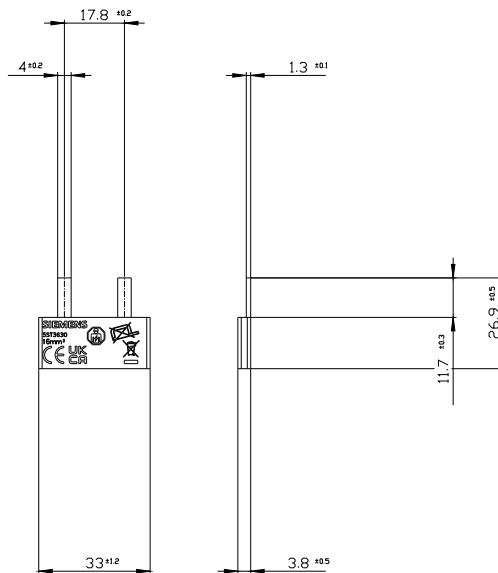
<https://www.siemens.com/cax>

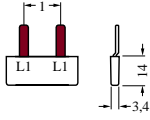
Tender specifications

<https://www.siemens.com/specifications>

Characteristic curves

https://curves.simaris.siemens.com/curves/<mmp_prod_noCOMP='HAUPT'></mmp_prod_no>





last modified:

8/8/2025 

