

SUBCON 15/M-SH - D-SUB bus connector



2761606

<https://www.phoenixcontact.com/ro/produse/2761606>

Vă rugăm să țineți cont de faptul că datele afișate în acest document PDF au fost generate din catalogul nostru online. Datele complete sunt disponibile în documentația pentru utilizator. În cazul descărcărilor, se aplică Termenii și condițiile generale de utilizare ale companiei noastre.



D-SUB connector, 15-pos., pin, one 35° cable outlet, universal type for all systems, pin assignment: 1, 2, 3, ..., 14, 15 to screw connection terminal block

Descriere produs

The range covers SUBCON plugs for point-to-point connections with a cable infeed in 9, 15 and 25-pos. male or female versions. The optional fastening screw SUBCON-SHORT-SCREW is available as an accessory for narrow installation conditions. The screw is completely integrated into the housing by not having a knurl.

Avantajele dumneavoastră

- Easy assembly thanks to knurled screws
- High level of EMC
- Assembly under field conditions
- Flexibility in terms of cable entry selection
- Can be used universally
- Change to the D-SUB orientation through a reversible connection block

Date comerciale

Număr articol	2761606
Unitate de ambalare	1 Bucată
Cantitate minimă pentru comandă	1 Bucată
Cod de achiziție	07
Cod produs	DNC511
Pagina de catalog	Pagina 451 (C-6-2019)
GTIN	4017918101671
Greutate pe bucată (inclusiv ambalajul)	80,1 g
Greutate pe bucată (fără ambalaj)	15,9 g
Cod tarifar vamal	85366990
Țara de origine	DE

SUBCON 15/M-SH - D-SUB bus connector



2761606

<https://www.phoenixcontact.com/ro/produse/2761606>

Date tehnice

Notes

Note on application	Only for industrial use
---------------------	-------------------------

Utilization restriction

CCCex note	Use in potentially explosive areas is not permitted in China.
------------	---

Product properties

Product type	Data plug
MTTF	6706 Years (SN 29500 standard, temperature 25°C, operating cycle 21%)
	1817 Years (SN 29500 standard, temperature 40°C, operating cycle 34.25%)
	155 Years (SN 29500 standard, temperature 40°C, operating cycle 100%)
Pin assignment	All connections are 1:1 on the screw terminal block

Electrical properties

Nominal voltage U_N	50 V DC
Nominal current I_N	100 mA
Transmission medium	Copper

Connection data

D-SUB connection

Connection method	D-SUB connector
-------------------	-----------------

PCB connection

Connection method	Screw connection
Stripping length	5 mm
Conductor cross section, rigid min.	0.14 mm ²
Conductor cross section, rigid max.	1.5 mm ²
Conductor cross section flexible min.	0.14 mm ²
Conductor cross section flexible max.	1 mm ²
Single-wire/terminal point, rigid AWG min.	26
Single-wire/terminal point, rigid AWG max.	16
Min. AWG conductor cross section, flexible	26
Max. AWG conductor cross section, flexible	18

Interfaces

Signal	Modbus
--------	--------

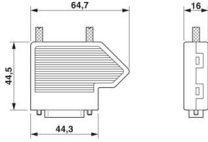
Dimensions

SUBCON 15/M-SH - D-SUB bus connector



2761606

<https://www.phoenixcontact.com/ro/produce/2761606>

Dimensional drawing	
Width	16 mm
Height	55 mm
Length	65 mm

Material specifications

Material (Housing)	ABS (metal-plated)
--------------------	--------------------

Cable/line

External cable diameter	4 mm ... 10 mm (Incoming bus line)
-------------------------	------------------------------------

Mechanical properties

Mechanical data

Insertion/withdrawal cycles	> 200
-----------------------------	-------

Environmental and real-life conditions

Ambient conditions

Degree of protection	IP20
Ambient temperature (operation)	-20 °C ... 75 °C
Ambient temperature (storage/transport)	-25 °C ... 80 °C
Altitude	≤ 5000 m (For restrictions, see the manufacturer's declaration for altitude operation)
Permissible humidity (operation)	10 % ... 95 % (non-condensing)
Permissible humidity (storage/transport)	5 % ... 95 % (non-condensing)

Approvals

ATEX

Identification	⊕ II 3 G Ex ec IIC T4 Gc
Certificate	PxCIF15ATEX2761499X
Note	Please follow the special installation instructions in the documentation!

UKEX

Identification	⊕ II 3 G Ex ec IIC T4 Gc
Certificate	PxCIMA22UKEX2761499X

Corrosive gas test

Identification	ISA-S71.04-1985 G3 Harsh Group A
----------------	----------------------------------

Standards and regulations

Free from substances that could impair the application of coating	in accordance with VW-AUDI-Seat central standard P-VW 3.10.7
---	--

SUBCON 15/M-SH - D-SUB bus connector



2761606

<https://www.phoenixcontact.com/ro/produse/2761606>

57 65 0

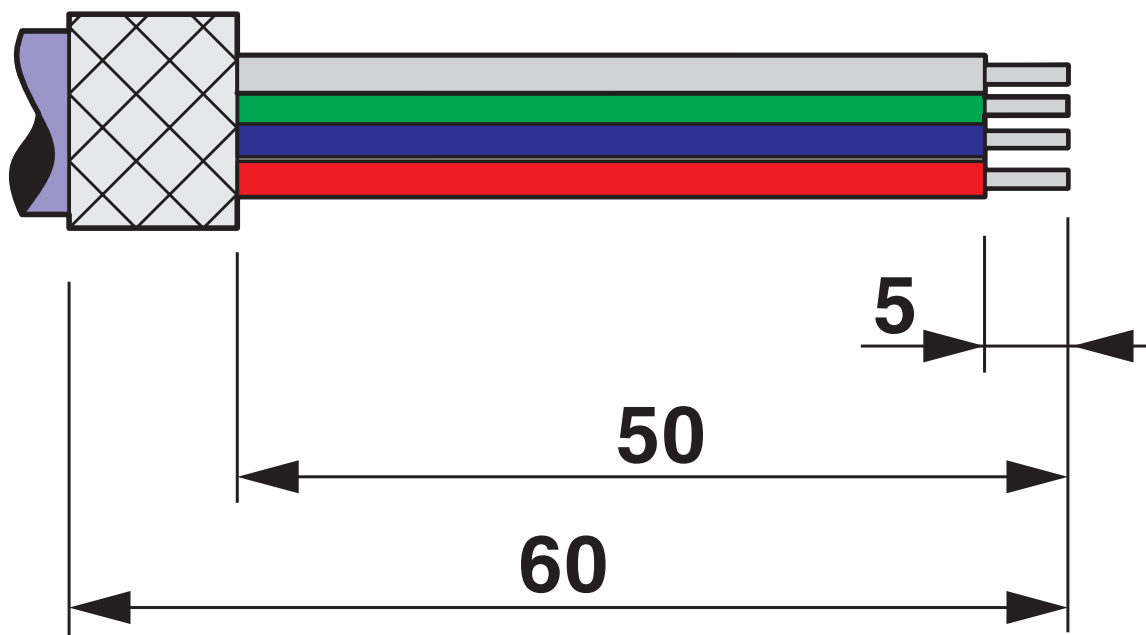
SUBCON 15/M-SH - D-SUB bus connector

2761606

<https://www.phoenixcontact.com/ro/produse/2761606>

Desene

Schematic diagram



Stripping specifications

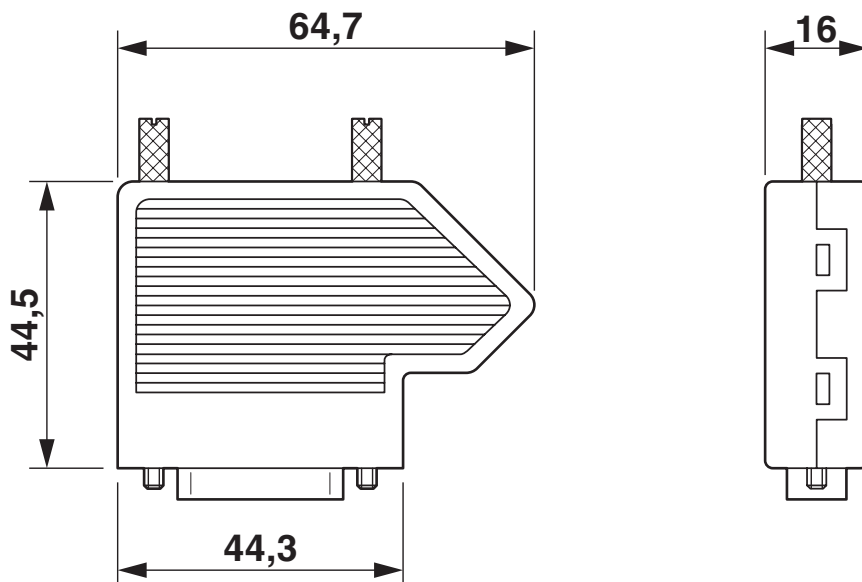
SUBCON 15/M-SH - D-SUB bus connector

2761606

<https://www.phoenixcontact.com/ro/produse/2761606>



Dimensional drawing



SUBCON 15/M-SH - D-SUB bus connector



2761606

<https://www.phoenixcontact.com/ro/produse/2761606>

Aprobări

To download certificates, visit the product detail page: <https://www.phoenixcontact.com/ro/produse/2761606>



cUL Recognized

ID de înregistrare: FILE E 238705



UL Recognized

ID de înregistrare: FILE E 238705



CSA

ID de înregistrare: 2437602

cULus Recognized

SUBCON 15/M-SH - D-SUB bus connector



2761606

<https://www.phoenixcontact.com/ro/produse/2761606>

Clasificări

ECLASS

ECLASS-11.0	27440302
ECLASS-13.0	27440302
ECLASS-12.0	27440302

ETIM

ETIM 8.0	EC001132
----------	----------

UNSPSC

UNSPSC 21.0	39121400
-------------	----------

SUBCON 15/M-SH - D-SUB bus connector



2761606

<https://www.phoenixcontact.com/ro/produse/2761606>

Environmental product compliance

EU RoHS

Îndeplinește cerințele conform directivei RoHS	Da, Nicio reglementare privind excepțiile
--	---

China RoHS

Environment friendly use period (EFUP)	EFUP-E
	Nu există substanțe periculoase peste valorile limită

EU REACH SVHC

Trimitere la substanța candidată REACH (nr. CAS)	Nicio substanță cu un procentaj masic mai mare de 0,1 %
--	---

EF3.0 Climate Change

CO2e kg	19,87 kg CO2e
---------	---------------

SUBCON 15/M-SH - D-SUB bus connector



2761606

<https://www.phoenixcontact.com/ro/produce/2761606>

Accesorii

SUBCON-SHORT-SCREW - Screw

2799694

<https://www.phoenixcontact.com/ro/produce/2799694>



Optional mounting screw, without knurl for narrow installation conditions, slotted head, length: 40 mm, UNC 4-40 thread Supplied as standard: 1 bag of 20 screws

SZF 0-0,4X2,5 - Screwdriver

1204504

<https://www.phoenixcontact.com/ro/produce/1204504>



Actuation tool, for ST terminal blocks, also suitable for use as a bladed screwdriver, size: 0.4 x 2.5 x 75 mm, 2-component grip, with non-slip grip

SUBCON 15/M-SH - D-SUB bus connector

2761606

<https://www.phoenixcontact.com/ro/produce/2761606>



SUBCON 15/F-SH - D-SUB bus connector

2761596

<https://www.phoenixcontact.com/ro/produce/2761596>



D-SUB connector, 15-pos. socket, one 35° cable outlet, universal type for all systems, pin assignment: 1, 2, 3, ..., 14, 15 to screw connection terminal block

VS-15-GC-ST/ST - D-SUB gender changer

1652677

<https://www.phoenixcontact.com/ro/produce/1652677>



D-SUB contact insert, shell size 2, with 15 signal contacts, type of contact pin, gender changer, fixing with 4-40 UNC thread

SUBCON 15/M-SH - D-SUB bus connector

2761606

<https://www.phoenixcontact.com/ro/produse/2761606>



VS-15-GC-BU/BU - D-SUB gender changer

1652664

<https://www.phoenixcontact.com/ro/produse/1652664>

D-SUB contact insert, shell size 2, with 15 signal contacts, type of contact socket, gender changer, fixing with 4-40 UNC thread



Phoenix Contact 2024 © - Toate drepturile rezervate

<https://www.phoenixcontact.com>

PHOENIX CONTACT România

Splaiul Unirii 165 Timpuri Noi Square TNO1, Etaj 1

Bucuresti 030133

+40 21 350 88 12 - 3

sales.ro@phoenixcontact.com