



Connection terminal 35mm² for pin busbars according to UL 508

Model	
product brand name	SETRON
product designation	Connecting terminal
design of the product	for pin busbar 35 mm ² UL508
Supply voltage	
operating voltage at AC rated value	1 000 V
Connections	
tightening torque	
• minimum	4 N·m
• maximum	5.5 N·m
type of connectable conductor cross-sections for copper conductor stranded	6 - 35 mm ²
Mechanical Design	
height	28.5 mm
width	16.2 mm
depth	41.5 mm
length	60 mm
Net Weight	33 g
Approvals Certificates	
Environment	General Product Approval

[Environmental Confirmations](#)

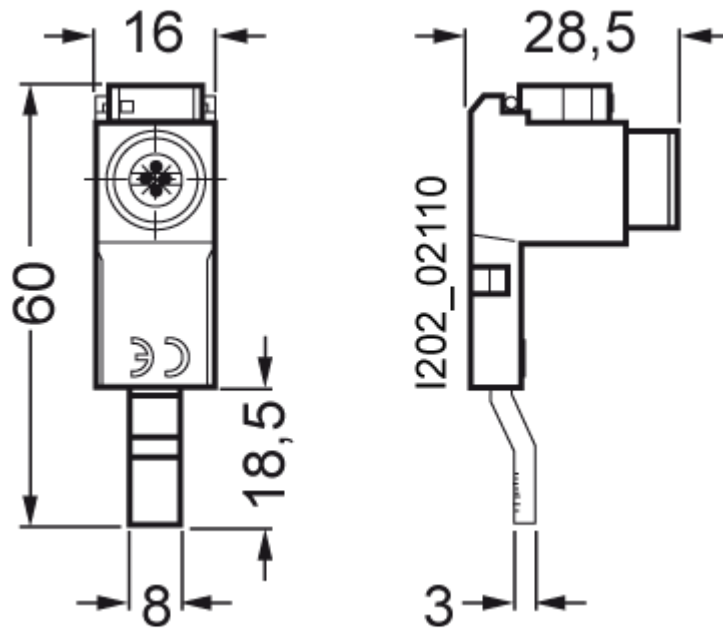
[Environmental Confirmations](#)

[Miscellaneous](#)



Further information

- Information on the packaging
<https://support.industry.siemens.com/cs/ww/en/view/109813875>
- Information for data generation and storage
<https://support.industry.siemens.com/cs/ww/en/view/109995012>
- Information- and Downloadcenter (Catalogs, Brochures,...)
<https://www.siemens.com/lowvoltage/catalogs>
- Industry Mall (Online ordering system)
<https://mall.industry.siemens.com/mall/en/en/Catalog/product?mlfb=5ST3770-0HG>
- Service&Support (Manuals, Certificates, Characteristics, FAQs,...)
<https://support.industry.siemens.com/cs/ww/en/ps/5ST3770-0HG>
- Image database (product images, 2D dimension drawings, 3D models, device circuit diagrams, ...)
https://www.automation.siemens.com/bilddb/cax_en.aspx?mlfb=5ST3770-0HG
- CAx-Online-Generator
<https://www.siemens.com/cax>
- Tender specifications
<https://www.siemens.com/specifications>



last modified:

4/11/2025

