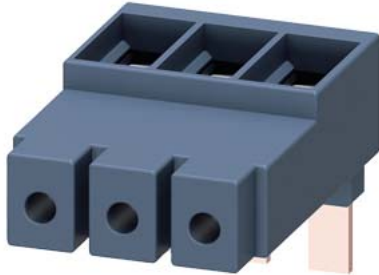


3-phase supply terminal Size S2 for 3-phase busbar connection from top



<b>product brand name</b>	SIRIUS
<b>product category</b>	Plugs, adapters and terminals
<b>product designation</b>	3-phase supply terminal
<b>design of the product</b>	from above, size S2
<b>product type designation</b>	3RV29
<b>General technical data</b>	
<b>certificate of suitability</b>	CE / UL / CSA / CCC
<b>size of the circuit-breaker</b>	S2
insulation voltage with degree of pollution 3 at AC rated value	690 V
protection class IP on the front according to IEC 60529	IP20
<b>Substance Prohibittance (Date)</b>	10/15/2014
<b>Net Weight</b>	0.18 kg
<b>ampacity maximum</b>	105 A
<b>Ambient conditions</b>	
<b>ambient temperature</b>	
• during operation	-20 ... +60 °C
• during storage	-50 ... +80 °C
<b>Electrical Safety</b>	
<b>protection class IP on the front according to IEC 60529</b>	IP20
<b>touch protection on the front according to IEC 60529</b>	finger-safe, for vertical contact from the front
<b>Installation/ mounting/ dimensions</b>	
<b>height</b>	51 mm
<b>width</b>	55 mm
<b>depth</b>	77 mm
<b>Connections/ Terminals</b>	
type of electrical connection for main current circuit	screw-type terminals
<b>type of connectable conductor cross-sections</b>	
• for main contacts	
— solid	2x (2.5 ... 50 mm <sup>2</sup> ), 1x (2.5 ... 70 mm <sup>2</sup> )
— stranded	2x (2.5 ... 50 mm <sup>2</sup> ), 1x (2.5 ... 70 mm <sup>2</sup> )
— finely stranded with core end processing	2x (2.5 ... 35 mm <sup>2</sup> ), 1x (2.5 ... 50 mm <sup>2</sup> ).
• for AWG cables for main contacts	2x (10 ... 1/0), 1x (10 ... 2/0)
<b>connectable conductor cross-section for main contacts</b>	
• solid or stranded	2.5 ... 70 mm <sup>2</sup>
• stranded	2.5 ... 70 mm <sup>2</sup>
• finely stranded with core end processing	2.5 ... 50 mm <sup>2</sup>
<b>AWG number as coded connectable conductor cross section for main contacts</b>	10 ... 2
<b>Approvals Certificates</b>	

## Environmental Product Declaration

- global warming potential [CO2 eq] / during manufacturing 0.161 kg
- global warming potential [CO2 eq] / during operation 139 kg
- global warming potential [CO2 eq] / after end of life -0.0558 kg
- global warming potential [CO2 eq] / total 139 kg

## Environment

## General Product Approval

## Maritime application

[Environmental Confirmations](#)



## Maritime application

## other



[Confirmation](#)

## other

[Miscellaneous](#)

## Further information

### Information on the packaging

<https://support.industry.siemens.com/cs/ww/en/view/109813875>

### Information for data generation and storage

<https://support.industry.siemens.com/cs/ww/en/view/109995012>

### Information- and Downloadcenter (Catalogs, Brochures,...)

<https://www.siemens.com/ic10>

### Industry Mall (Online ordering system)

<https://mall.industry.siemens.com/mall/en/en/Catalog/product?mlfb=3RV2935-5A>

### Cax online generator

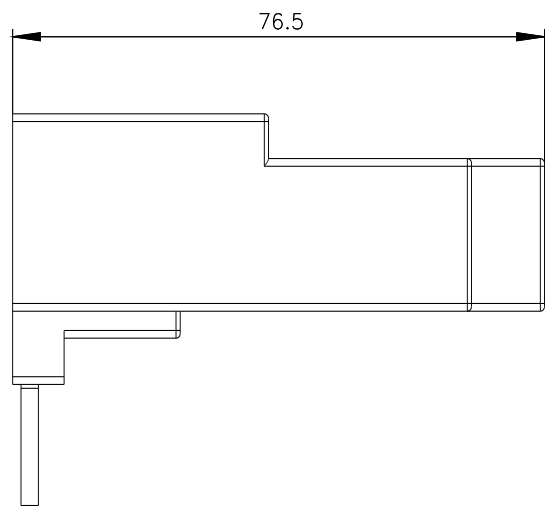
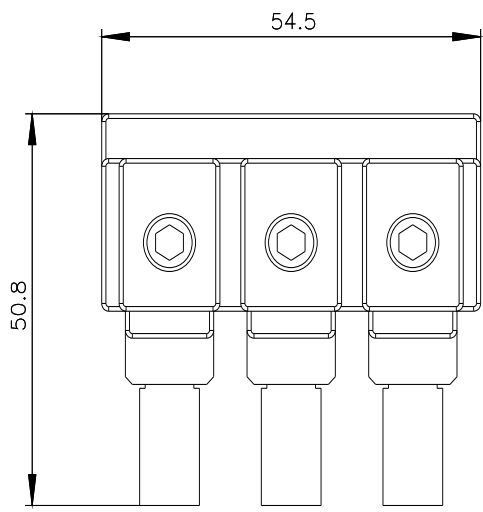
<https://support.automation.siemens.com/WW/CAXorder/default.aspx?lang=en&mlfb=3RV2935-5A>

### Service&Support (Manuals, Certificates, Characteristics, FAQs,...)

<https://support.industry.siemens.com/cs/ww/en/ps/3RV2935-5A>

### Image database (product images, 2D dimension drawings, 3D models, device circuit diagrams, EPLAN macros, ...)

[https://www.automation.siemens.com/bilddb/cax\\_de.aspx?mlfb=3RV2935-5A&lang=en](https://www.automation.siemens.com/bilddb/cax_de.aspx?mlfb=3RV2935-5A&lang=en)



---

last modified:

4/2/2025 