



SENTRON, Fuse switch disconnecter 3NP1, 3-pole, NH2, 400 A, for Busbar system 8US 60 mm, flat terminal, Fuse monitoring: electronic EFM20, Cover level 32/70 mm

| Model | |
|--|-----------------------------|
| product designation | Fuse switch disconnecter |
| busbar design | busbar thickness 5 or 10 mm |
| design of the safety monitoring | electronic EFM 20 |
| design of the load switch strip form | No |
| type of the driving mechanism motor drive | No |
| General technical data | |
| number of poles | 3 |
| type of device | For 60 mm 8US busbar system |
| size of disconnecting link | 2 and 1 |
| size of fuse link | NH1, NH2 |
| let-through current with closed switch maximum | 40 kA |
| mechanical service life (operating cycles) typical | 1 000 |
| I ² t value with closed switch maximum | 2 150 kA ² ·s |
| power factor | |
| • at AC-22 B | 0.65 |
| • at AC-23 B | 0.35 |
| • with capacitive load | -0.25 |
| fuse system | LV HRC fuse |
| degree of pollution | 2 |
| Voltage | |
| insulation voltage | |
| • rated value | 690 V |
| • with degree of pollution 3 at AC rated value | 690 V |
| • with degree of pollution 2 at AC rated value | 1 000 V |
| power factor at AC-21 B | 0.95 |
| surge voltage resistance rated value | 8 kV |
| • operational current | |
| — at 35 °C rated value | 400 A |
| — at 40 °C rated value | 400 A |
| — at 45 °C rated value | 392 A |
| — at 50 °C rated value | 372 A |
| — at 55 °C rated value | 356 A |
| • operational current | |
| — at AC-21 B at 240 V rated value | 400 A |
| — at AC-21 B at 400 V rated value | 400 A |
| — at AC-21 B at 500 V rated value | 400 A |
| — at AC-21 B at 690 V rated value | 400 A |

| | |
|---|--------|
| — at AC-22 B at 240 V rated value | 400 A |
| — at AC-22 B at 400 V rated value | 400 A |
| — at AC-22 B at 500 V rated value | 400 A |
| — at AC-22 B at 690 V rated value | 400 A |
| — at AC-23 B at 690 V rated value | 125 A |
| — at AC-23 B at 500 V rated value | 315 A |
| — at AC-23 B at 400 V rated value | 400 A |
| — at AC-23 B at 240 V rated value | 400 A |
| let-through current with high-speed activation maximum permissible | 40 kA |
| operating voltage | |
| • at AC rated value minimum | 230 V |
| • at AC rated value maximum | 690 V |
| Protection class | |
| protection class IP | |
| • with closed switch with cover or cable lug cover | IP40 |
| • with closed switch without cover or cable lug cover | IP30 |
| • open | IP20 |
| Dissipation | |
| power loss [W] | |
| • with conventional rated thermal current without fuse per pole | 14 W |
| • with conventional rated thermal current without fuse per device | 42 W |
| • for rated value of the current at AC in hot operating state per pole | 16.8 W |
| • of the fuse per fuse maximum | 34 W |
| Main circuit | |
| operational current | |
| • rated value | 400 A |
| • with capacitive load at 400 V rated value | 72 A |
| • with capacitive load at 500 V rated value | 55 A |
| Auxiliary circuit | |
| number of CO contacts for auxiliary contacts | 0 |
| number of NC contacts for auxiliary contacts | 0 |
| number of NO contacts for auxiliary contacts | 0 |
| Suitability | |
| suitability for use main switch | No |
| suitability for use switch disconnecter | Yes |
| suitability for use EMERGENCY OFF switch | No |
| suitability for use safety switch | Yes |
| suitability for use maintenance/repair switch | Yes |
| Product details | |
| product function phase failure monitoring | Yes |
| product component | |
| • undervoltage release | No |
| • undervoltage release with leading contact | No |
| product feature sealable | Yes |
| product extension auxiliary switch | Yes |
| product extension optional locking capability | Yes |
| product extension optional voltage trigger | No |
| Product function | |
| product function overvoltage protection monitoring | Yes |
| Short circuit | |
| conditional short-circuit current (I_q) | |
| • at AC at 240 V with high-speed activation rated value | 80 kA |
| • at AC at 500 V with high-speed activation rated value | 80 kA |
| • at AC at 690 V with high-speed activation rated value | 50 kA |
| • with closed switch at AC at 240 V rated value | 100 kA |
| • with closed switch at AC at 500 V rated value | 100 kA |

- with closed switch at AC at 690 V rated value

100 kA

Connections

| | |
|--|---------------------|
| arrangement of electrical connectors for main current circuit | other |
| connectable conductor cross-section for main contacts | |
| • solid or stranded minimum | 25 mm ² |
| • solid or stranded maximum | 240 mm ² |
| • stranded minimum | 25 mm ² |
| • stranded maximum | 240 mm ² |
| tightening torque with screw-type terminals | |
| • minimum | 10 N·m |
| • maximum | 12 N·m |
| type of connectable conductor cross-sections of the laminated conductors maximum | 34 x 18 mm |
| type of connection technology | Flat terminal |

Mechanical Design

| | |
|--|---------------------|
| height | 306 mm |
| width | 209.4 mm |
| width of the busbar | |
| • minimum | 12 mm |
| • maximum | 30 mm |
| depth | 187.6 mm |
| fastening method | busbar |
| fastening method | |
| • floor mounting | No |
| • rail mounting | Yes |
| mounting position | horizontal/vertical |
| busbar center-to-center spacing | 60 mm |
| Net Weight | 4.732 kg |

Environmental conditions

| | |
|---|--------|
| ambient temperature during operation | |
| • minimum | -25 °C |
| • maximum | 55 °C |
| ambient temperature during storage | |
| • minimum | -50 °C |
| • maximum | 80 °C |

Certificates

| | |
|--|---|
| reference code according to IEC 81346-2 | Q |
|--|---|

Approvals Certificates

| | |
|--------------------|---------------------------------|
| Environment | General Product Approval |
|--------------------|---------------------------------|

[Environmental Confirmations](#)

[Environmental Confirmations](#)



General Product Approval

Test Certificates

Maritime application



[Miscellaneous](#)



[Type Test Certificates/Test Report](#)



other



[Confirmation](#)

Further information

Information on the packaging

<https://support.industry.siemens.com/cs/ww/en/view/109813875>

Information for data generation and storage

<https://support.industry.siemens.com/cs/ww/en/view/109995012>

Information- and Downloadcenter (Catalogs, Brochures,...)

<https://www.siemens.com/lowvoltage/catalogs>

Industry Mall (Online ordering system)

<https://mall.industry.siemens.com/mall/en/en/Catalog/product?mlfb=3NP1153-1BC13>

Service&Support (Manuals, Certificates, Characteristics, FAQs,...)

<https://support.industry.siemens.com/cs/ww/en/ps/3NP1153-1BC13>

Image database (product images, 2D dimension drawings, 3D models, device circuit diagrams, ...)

https://www.automation.siemens.com/bilddb/cax_en.aspx?mlfb=3NP1153-1BC13

CAX-Online-Generator

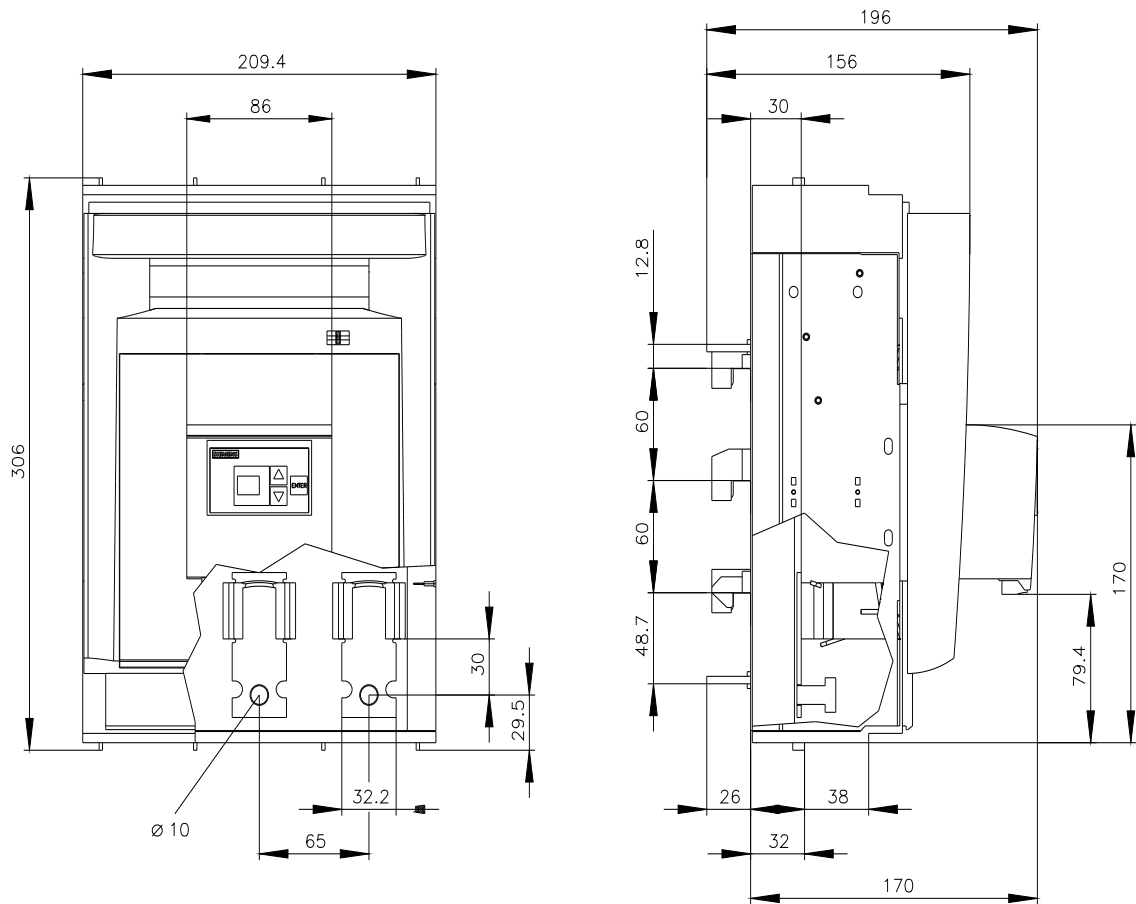
<https://www.siemens.com/cax>

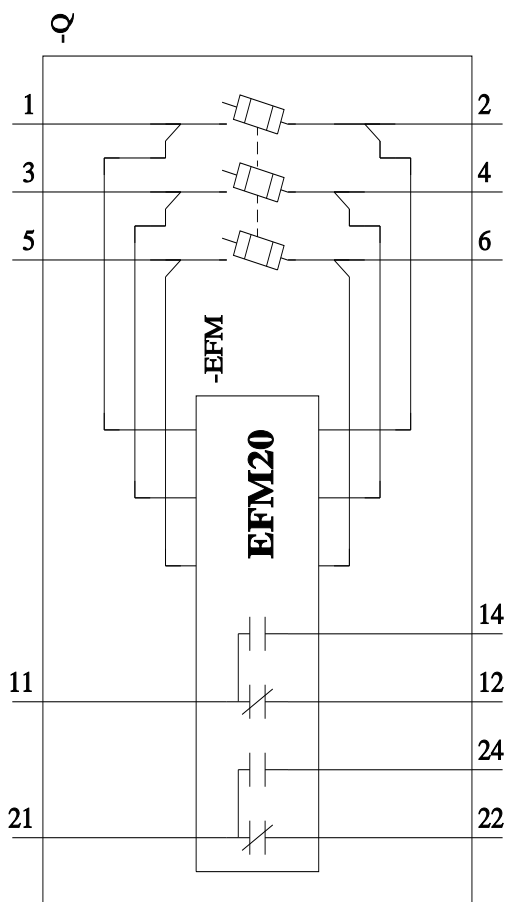
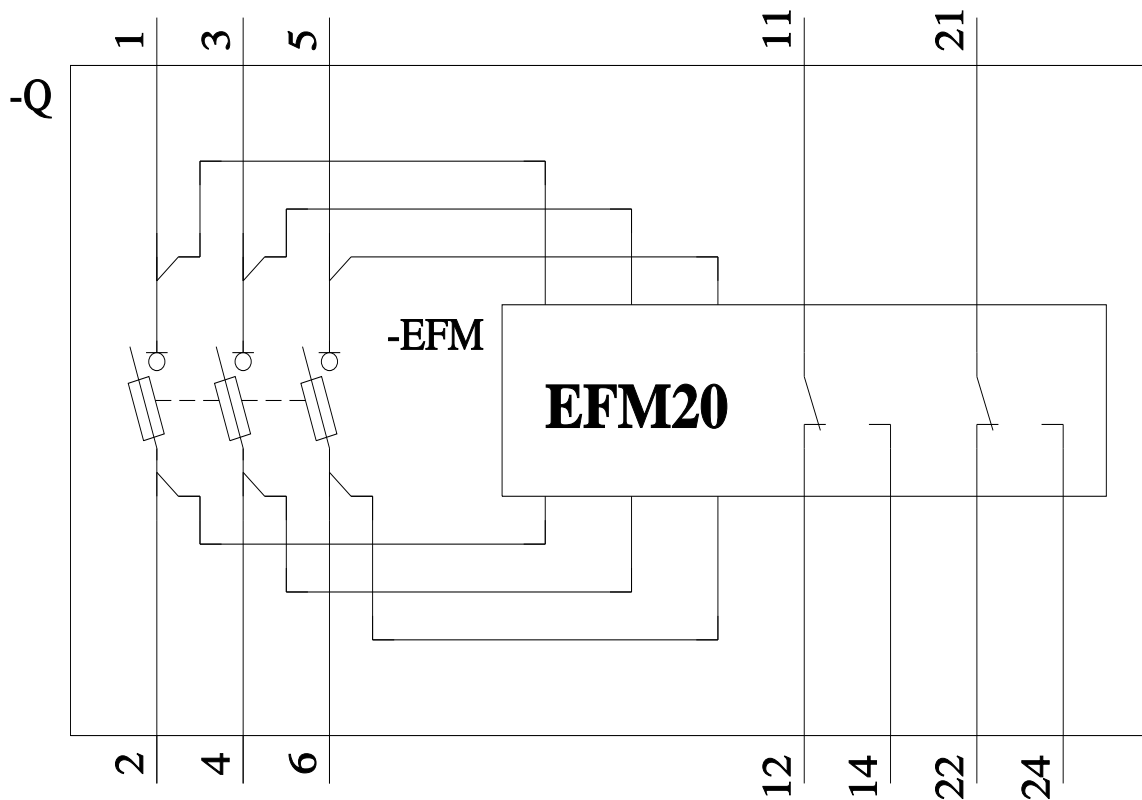
Tender specifications

<https://www.siemens.com/specifications>

Characteristic curves

[https://curves.simaris.siemens.com/curves/<mmp_prod_noCOMP="HAUPT"></mmp_prod_no>](https://curves.simaris.siemens.com/curves/<mmp_prod_noCOMP=)





last modified:

3/29/2026

