

Actuator head for position switch 3SE51/52 Angular roller lever Stainless steel lever with Stainless steel roller 13 mm



product brand name	SIRIUS		
product designation	actuator head for position switch		
product type designation	3SE5		
manufacturer's article number			
<ul style="list-style-type: none"> <li>of the supplied actuator head for position switches</li> </ul>	<a href="#">3SE5000-0AF13</a>		
<b>General technical data</b>			
product function positive opening	Yes		
shock resistance			
<ul style="list-style-type: none"> <li>according to IEC 60068-2-27</li> </ul>	30 g / 11 ms		
vibration resistance			
<ul style="list-style-type: none"> <li>according to IEC 60068-2-6</li> </ul>	0.35 mm/5 g		
mechanical service life (operating cycles) typical	15 000 000		
material of the enclosure of the switch head	plastic		
reference code according to IEC 81346-2	T		
active principle	mechanical		
Substance Prohibition (Date)	07/01/2006		
Net Weight	0.029 kg		
minimum actuating force in directions of actuation	10 N		
<b>Ambient conditions</b>			
ambient temperature			
<ul style="list-style-type: none"> <li>during operation</li> <li>during storage</li> </ul>	-25 ... +85 °C -40 ... +90 °C		
explosion protection category for dust	none		
<b>Enclosure</b>			
coating of the enclosure	Other types		
<b>Drive Head</b>			
design of the actuating element	Angular roller lever, high-grade steel lever, high-grade steel roller		
standard-compliant actuator head	EN 50047		
shape of the switch head	roller		
outer diameter of the switch head	13 mm		
<b>Installation/ mounting/ dimensions</b>			
mounting position	any		
fastening method	lockable plug-in fixing		
design of the interface for safety-related communication	without		
<b>Communication/ Protocol</b>			
design of the interface	without		
<b>Approvals Certificates</b>			
General Product Approval	Test Certificates	other	Environment

#### Further information

**Information on the packaging**

<https://support.industry.siemens.com/cs/ww/en/view/109813875>

**Information for data generation and storage**

<https://support.industry.siemens.com/cs/ww/en/view/109995012>

**Information- and Downloadcenter (Catalogs, Brochures,...)**

<https://www.siemens.com/ic10>

**Industry Mall (Online ordering system)**

<https://mall.industry.siemens.com/mall/en/en/Catalog/product?mlfb=3SE5000-0AF13>

**Cax online generator**

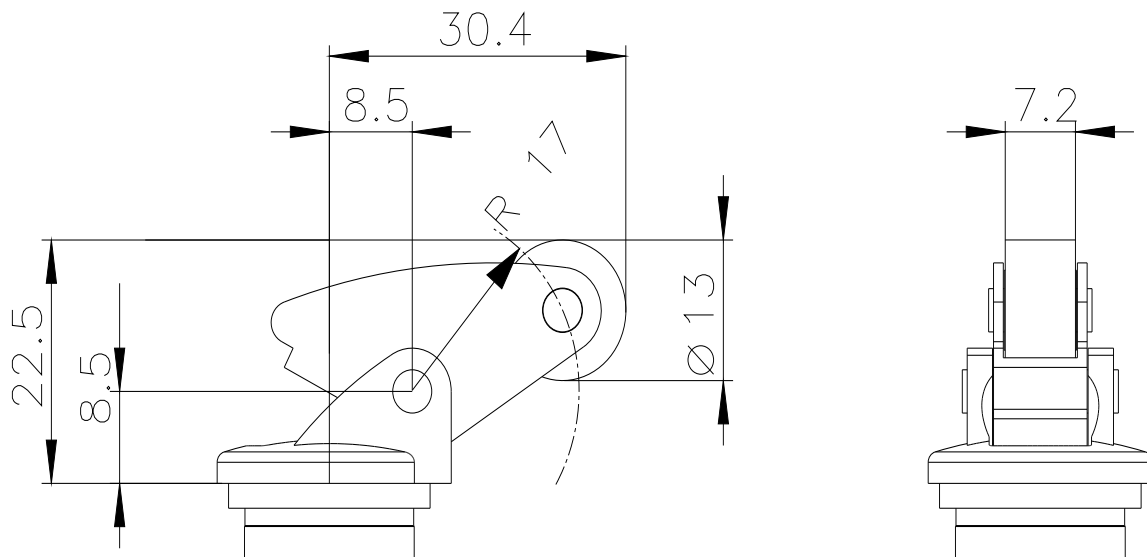
<https://support.automation.siemens.com/WW/CAXorder/default.aspx?lang=en&mlfb=3SE5000-0AF13>

**Service&Support (Manuals, Certificates, Characteristics, FAQs,...)**

<https://support.industry.siemens.com/cs/ww/en/ps/3SE5000-0AF13>

**Image database (product images, 2D dimension drawings, 3D models, device circuit diagrams, EPLAN macros, ...)**

[https://www.automation.siemens.com/bilddb/cax\\_de.aspx?mlfb=3SE5000-0AF13&lang=en](https://www.automation.siemens.com/bilddb/cax_de.aspx?mlfb=3SE5000-0AF13&lang=en)



last modified:

4/4/2026 