



Handle with masking frame standard Size 75x 75, for shaft 8x 8, 0-I, Handle size 55 mm, 3LD5 UL

Model		
product brand name	SETRON	
product designation	handle with masking plate	
design of the product	EMERGENCY OFF	
design of handle	Red-yellow	
design of the door lock system	Door interlocking	
size of cross-section of the shaft of door-coupling rotary operating mechanism	8x8 mm	
size format of the masking frame of door-coupling rotary operating mechanism	75x 75 mm	
length of handle	55 mm	
protection class IP	IP65	
suitability for use	for 3LD5 UL	
Product details		
product description	without lighting	
product feature interlock	Yes	
product component		
• extension shaft	No	
• handle for emergency-OFF function	Yes	
product feature lockable	Yes	
Accessories		
accessories	Handle with masking frame	
display version for switch position indicator	0-I	
Mechanical Design		
height	84 mm	
width	84 mm	
depth	80 mm	
Net Weight	175 g	
Approvals Certificates		
Environment	General Product Approval	Maritime application

[Environmental Conformations](#)



### Further information

Information on the packaging  
<https://support.industry.siemens.com/cs/ww/en/view/109813875>  
 Information for data generation and storage

<https://support.industry.siemens.com/cs/ww/en/view/109995012>

Information- and Downloadcenter (Catalogs, Brochures,...)

<https://www.siemens.com/lowvoltage/catalogs>

Industry Mall (Online ordering system)

<https://mall.industry.siemens.com/mall/en/en/Catalog/product?mlfb=8UD1731-2AD05>

Service&Support (Manuals, Certificates, Characteristics, FAQs,...)

<https://support.industry.siemens.com/cs/ww/en/ps/8UD1731-2AD05>

Image database (product images, 2D dimension drawings, 3D models, device circuit diagrams, ...)

[https://www.automation.siemens.com/bilddb/cax\\_en.aspx?mlfb=8UD1731-2AD05](https://www.automation.siemens.com/bilddb/cax_en.aspx?mlfb=8UD1731-2AD05)

CAX-Online-Generator

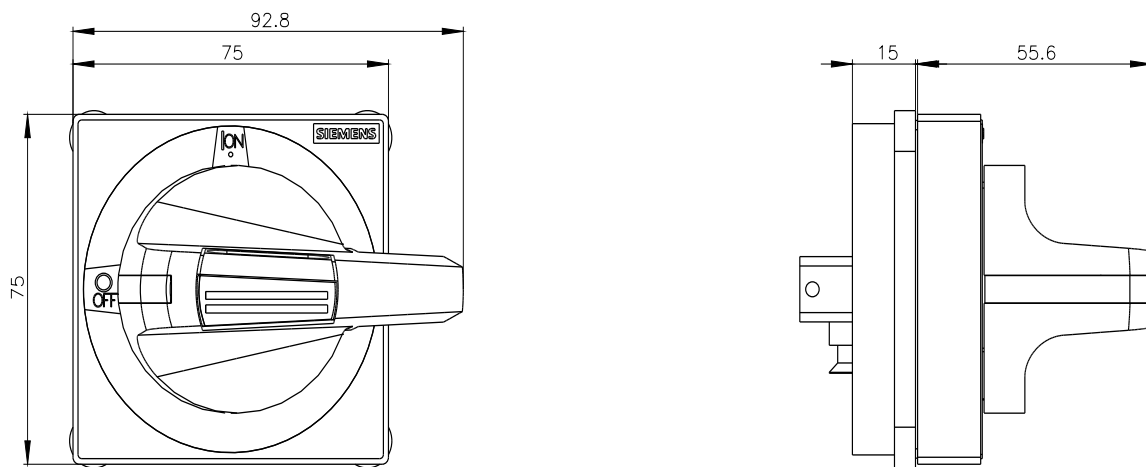
<https://www.siemens.com/cax>

Tender specifications

<https://www.siemens.com/specifications>

Characteristic curves

[https://curves.simaris.siemens.com/curves/<mmp\\_prod\\_noCOMP="HAUPT"></mmp\\_prod\\_no>](https://curves.simaris.siemens.com/curves/<mmp_prod_noCOMP=)



last modified:

4/4/2025 

