



Actuator head for position switch 3SE51/52 Rounded plunger, Form B made of stainless steel with 3 mm overtravel according to EN 50041

<b>product brand name</b>	SIRIUS
<b>product designation</b>	actuator head for position switch
<b>product type designation</b>	3SE5
<b>manufacturer's article number</b>	
<ul style="list-style-type: none"> <li>of the supplied actuator head for position switches</li> </ul>	<a href="#">3SE5000-0AC02</a>
<b>General technical data</b>	
<b>product function positive opening</b>	Yes
<b>shock resistance</b>	
<ul style="list-style-type: none"> <li>according to IEC 60068-2-27</li> </ul>	30 g / 11 ms
<b>vibration resistance</b>	
<ul style="list-style-type: none"> <li>according to IEC 60068-2-6</li> </ul>	0.35 mm/5 g
<b>mechanical service life (operating cycles) typical</b>	15 000 000
<b>material of the enclosure of the switch head</b>	metal
<b>reference code according to IEC 81346-2</b>	T
<b>active principle</b>	mechanical
<b>Substance Prohibition (Date)</b>	07/01/2006
<b>Net Weight</b>	0.04 kg
<b>minimum actuating force in directions of actuation</b>	20 N
<b>Ambient conditions</b>	
<b>ambient temperature</b>	
<ul style="list-style-type: none"> <li>during operation</li> <li>during storage</li> </ul>	-25 ... +85 °C -40 ... +90 °C
<b>explosion protection category for dust</b>	none
<b>Enclosure</b>	
<b>coating of the enclosure</b>	Other types
<b>Drive Head</b>	
<b>design of the actuating element</b>	Rounded plunger, high-grade steel plunger
<b>standard-compliant actuator head</b>	EN 50041, design B
<b>shape of the switch head</b>	rounded
<b>outer diameter of the switch head</b>	10 mm
<b>Installation/ mounting/ dimensions</b>	
<b>mounting position</b>	any
<b>fastening method</b>	lockable plug-in fixing
<b>design of the interface for safety-related communication</b>	without
<b>Communication/ Protocol</b>	
<b>design of the interface</b>	without
<b>Approvals Certificates</b>	
<b>General Product Approval</b>	<b>Test Certificates</b>



[Type Test Certificates/Test Report](#)

other

Environment



[Confirmation](#)

[Environmental Confirmations](#)

### Further information

Information on the packaging

<https://support.industry.siemens.com/cs/ww/en/view/109813875>

Information for data generation and storage

<https://support.industry.siemens.com/cs/ww/en/view/109995012>

Information- and Downloadcenter (Catalogs, Brochures,...)

<https://www.siemens.com/ic10>

Industry Mall (Online ordering system)

<https://mall.industry.siemens.com/mall/en/en/Catalog/product?mlfb=3SE5000-0AC02>

Cax online generator

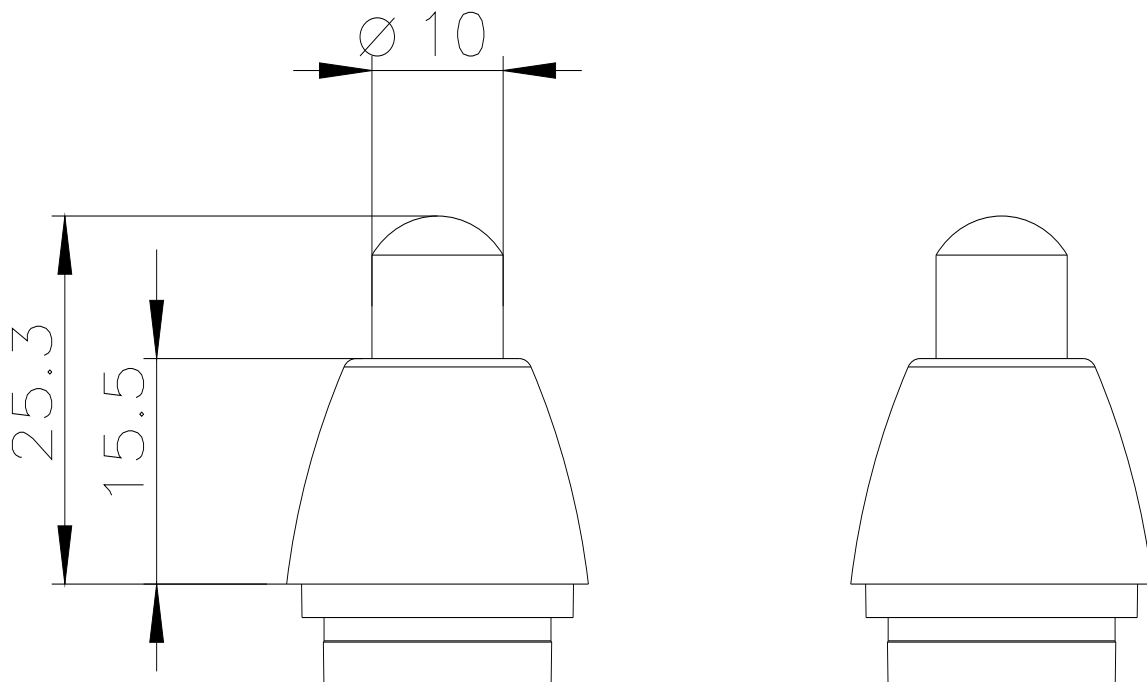
<https://support.automation.siemens.com/WW/CAXorder/default.aspx?lang=en&mlfb=3SE5000-0AC02>

Service&Support (Manuals, Certificates, Characteristics, FAQs,...)

<https://support.industry.siemens.com/cs/ww/en/ps/3SE5000-0AC02>

Image database (product images, 2D dimension drawings, 3D models, device circuit diagrams, EPLAN macros, ...)

[https://www.automation.siemens.com/bilddb/cax\\_de.aspx?mlfb=3SE5000-0AC02&lang=en](https://www.automation.siemens.com/bilddb/cax_de.aspx?mlfb=3SE5000-0AC02&lang=en)



last modified:

4/4/2026