



Actuator head for position switch 3SE51/52 Roller lever, Form E, with Stainless steel lever and Plastic roller 13 mm according to EN 50047

<b>product brand name</b>	SIRIUS		
<b>product designation</b>	actuator head for position switch		
<b>product type designation</b>	3SE5		
<b>manufacturer's article number</b>			
<ul style="list-style-type: none"> <li>of the supplied actuator head for position switches</li> </ul>	<a href="#">3SE5000-0AE12</a>		
<b>General technical data</b>			
<b>product function positive opening</b>	Yes		
<b>shock resistance</b>			
<ul style="list-style-type: none"> <li>according to IEC 60068-2-27</li> </ul>	30 g / 11 ms		
<b>vibration resistance</b>			
<ul style="list-style-type: none"> <li>according to IEC 60068-2-6</li> </ul>	0.35 mm/5 g		
<b>mechanical service life (operating cycles) typical</b>	15 000 000		
<b>material of the enclosure of the switch head</b>	plastic		
<b>reference code according to IEC 81346-2</b>	T		
<b>active principle</b>	mechanical		
<b>Substance Prohibition (Date)</b>	07/01/2006		
<b>Net Weight</b>	0.02 kg		
<b>minimum actuating force in directions of actuation</b>	10 N		
<b>Ambient conditions</b>			
<b>ambient temperature</b>			
<ul style="list-style-type: none"> <li>during operation</li> <li>during storage</li> </ul>	-25 ... +85 °C -40 ... +90 °C		
<b>explosion protection category for dust</b>	none		
<b>Enclosure</b>			
<b>coating of the enclosure</b>	Other types		
<b>Drive Head</b>			
<b>design of the actuating element</b>	Roller lever, high-grade steel lever, plastic roller		
<b>standard-compliant actuator head</b>	EN 50047, design E		
<b>shape of the switch head</b>	roller		
<b>outer diameter of the switch head</b>	13 mm		
<b>Installation/ mounting/ dimensions</b>			
<b>mounting position</b>	any		
<b>fastening method</b>	lockable plug-in fixing		
<b>design of the interface for safety-related communication</b>	without		
<b>Communication/ Protocol</b>			
<b>design of the interface</b>	without		
<b>Approvals Certificates</b>			
<b>General Product Approval</b>	<b>Test Certificates</b>	<b>other</b>	<b>Environment</b>

### Further information

**Information on the packaging**

<https://support.industry.siemens.com/cs/ww/en/view/109813875>

**Information for data generation and storage**

<https://support.industry.siemens.com/cs/ww/en/view/109995012>

**Information- and Downloadcenter (Catalogs, Brochures,...)**

<https://www.siemens.com/ic10>

**Industry Mall (Online ordering system)**

<https://mall.industry.siemens.com/mall/en/en/Catalog/product?mlfb=3SE5000-0AE12>

**Cax online generator**

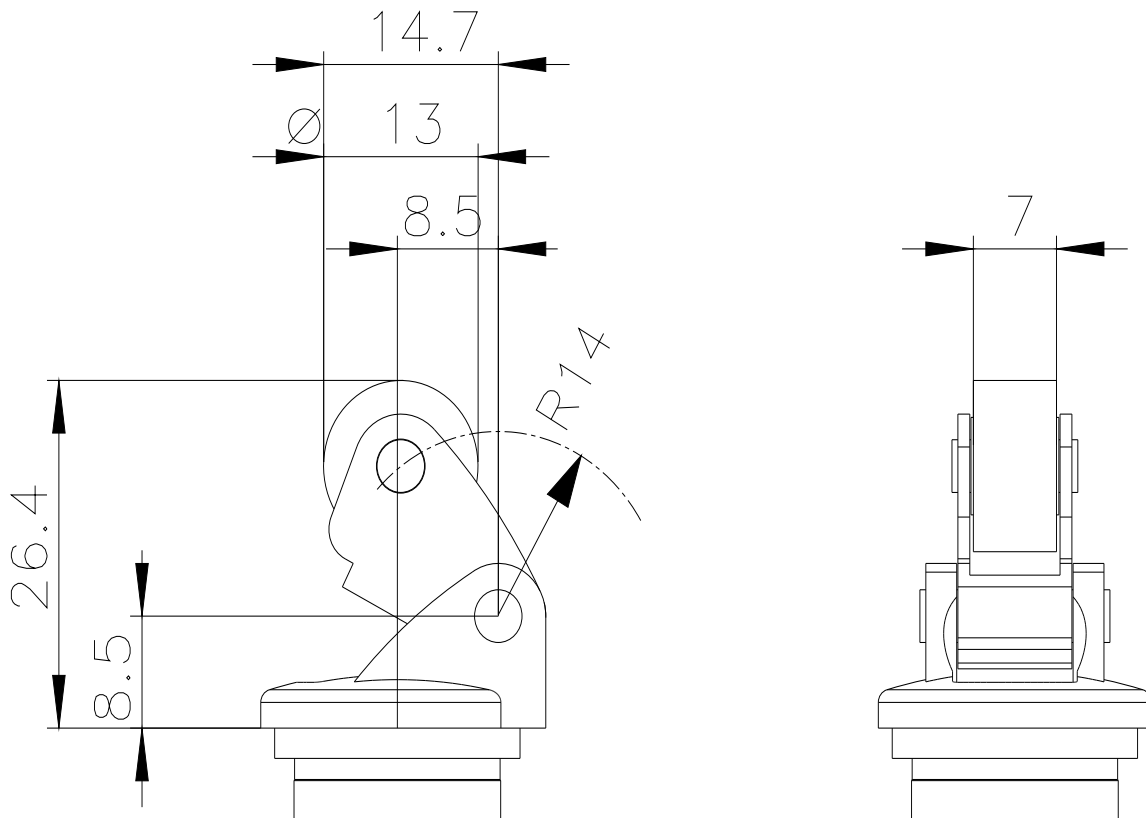
<https://support.automation.siemens.com/WW/CAXorder/default.aspx?lang=en&mlfb=3SE5000-0AE12>

**Service&Support (Manuals, Certificates, Characteristics, FAQs,...)**

<https://support.industry.siemens.com/cs/ww/en/ps/3SE5000-0AE12>

**Image database (product images, 2D dimension drawings, 3D models, device circuit diagrams, EPLAN macros, ...)**

[https://www.automation.siemens.com/bilddb/cax\\_de.aspx?mlfb=3SE5000-0AE12&lang=en](https://www.automation.siemens.com/bilddb/cax_de.aspx?mlfb=3SE5000-0AE12&lang=en)



last modified:

4/4/2026 