

Backing plate round, for EMERGENCY STOP mushroom pushbutton, yellow, self-adhesive, outer diameter 75 mm, inside diameter 23 mm, with inscription: Nodstop

product brand name	SIRIUS ACT
product designation	EMERGENCY STOP backing plate
product type designation	3SU1

General technical data

shock resistance for railway applications according to EN 61373	Category 1, Class B
vibration resistance for railway applications according to EN 61373	Category 1, Class B
Substance Prohibitation (Date)	10/01/2014
Net Weight	1 g

Ambient conditions

ambient temperature	
• during operation	70 ... -25 °C
• during storage and transport	80 ... -40 °C

Accessories

material of accessory	Plastic
fastening method of label	stick
marking of backing plate	NØDSTOP
shape of backing plate	Round
color of backing plate	yellow (plate); black (text)
product function illuminated backing plate	No

Approvals Certificates

Environmental Product Declaration	
• global warming potential [CO2 eq] / during manufacturing	0.566 kg
• global warming potential [CO2 eq] / during operation	0.235 kg
• global warming potential [CO2 eq] / after end of life	-0.0145 kg
• global warming potential [CO2 eq] / total	0.787 kg

Environment	General Product Approval	Maritime application
-------------	--------------------------	----------------------

[Environmental Confirmations](#)



Maritime application	other
----------------------	-------



[Confirmation](#)

Further information

Information on the packaging

<https://support.industry.siemens.com/cs/ww/en/view/109813875>

Information for data generation and storage

<https://support.industry.siemens.com/cs/ww/en/view/109995012>

Information- and Downloadcenter (Catalogs, Brochures,...)

<https://www.siemens.com/ic10>

Industry Mall (Online ordering system)

<https://mall.industry.siemens.com/mall/en/en/Catalog/product?mlfb=3SU1900-0BC31-0LA0>

Cax online generator

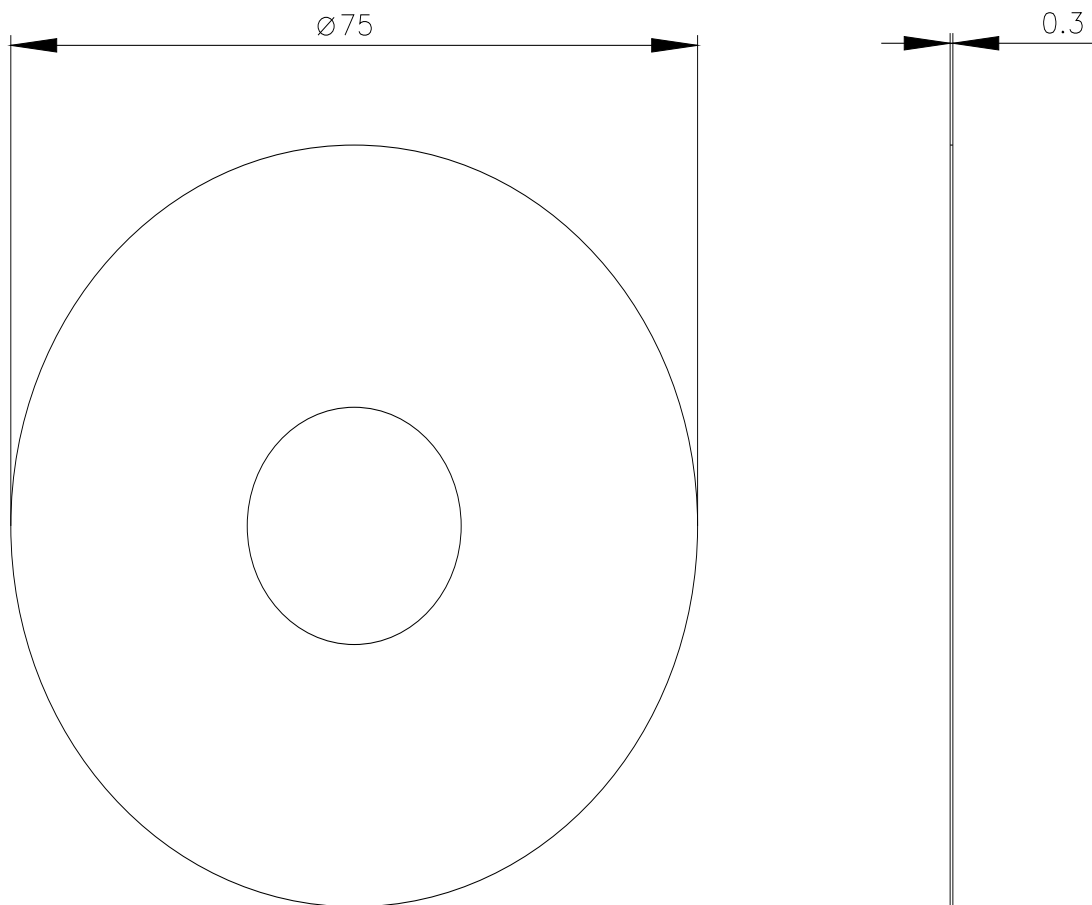
<https://support.automation.siemens.com/WW/CAXorder/default.aspx?lang=en&mlfb=3SU1900-0BC31-0LA0>

Service&Support (Manuals, Certificates, Characteristics, FAQs,...)

<https://support.industry.siemens.com/cs/ww/en/ps/3SU1900-0BC31-0LA0>

Image database (product images, 2D dimension drawings, 3D models, device circuit diagrams, EPLAN macros, ...)

https://www.automation.siemens.com/bilddb/cax_de.aspx?mlfb=3SU1900-0BC31-0LA0&lang=en



last modified:

4/2/2025