

# Fișă tehnică produs

Specificatii



## Bobina Motor - 90 A - Pt. Variator De Viteza

VW3A5103

### Principale

Tip produs sau componenta	Starter de motor
Compatibilitate gama	Altivar 212 Altivar 61 Altivar 71 Altivar Process ATV900 Altivar Process ATV600
aplicatie specifica produsului	Filtru de iesire
[In] curent nominal	90 A

Declinare de responsabilitate: Această documentație nu se substituie și nu trebuie utilizată pentru stabilirea adecvării sau fiabilității acestor produse pentru aplicații utilizator.

---

compatibilitate produs

- ATV61H075N4
- ATV61HU15N4
- ATV61HU22N4
- ATV61HU30N4
- ATV61HU40N4
- ATV61W075N4
- ATV61W075N4C
- ATV61WU15N4
- ATV61WU15N4C
- ATV61WU22N4
- ATV61WU22N4C
- ATV61WU30N4
- ATV61WU30N4C
- ATV61WU40N4
- ATV61WU40N4C
- ATV71H075N4
- ATV71HU15N4
- ATV71HU22N4
- ATV71HU30N4
- ATV71HU40N4
- ATV71P075N4Z
- ATV71PU15N4Z
- ATV71PU22N4Z
- ATV71PU30N4Z
- ATV71PU40N4Z
- ATV71W075N4
- ATV71WU15N4
- ATV71WU22N4
- ATV71WU30N4
- ATV71WU40N4
- ATV61HD11N4
- ATV61HD11Y
- ATV61HD15N4
- ATV61HD18N4
- ATV61HU22S6X
- ATV61HU30M3
- ATV61HU30S6X
- ATV61HU30Y
- ATV61HU40M3
- ATV61HU40S6X
- ATV61HU40Y
- ATV61HU55M3
- ATV61HU55N4
- ATV61HU55S6X
- ATV61HU55Y
- ATV61HU75M3
- ATV61HU75N4
- ATV61HU75S6X
- ATV61HU75Y
- ATV61WD11N4
- ATV61WD11N4C
- ATV61WD15N4
- ATV61WD15N4C
- ATV61WD18N4
- ATV61WD18N4C
- ATV61WU55N4
- ATV61WU55N4C
- ATV61WU75N4
- ATV61WU75N4C
- ATV71HD11N4
- ATV71HD11Y
- ATV71HD15N4
- ATV71HD18N4
- ATV71HU15S6X
- ATV71HU22S6X
- ATV71HU22Y
- ATV71HU30M3
- ATV71HU30S6X
- ATV71HU30Y
- ATV71HU40M3
- ATV71HU40S6X
- ATV71HU40Y
- ATV71HU55M3
- ATV71HU55N4
- ATV71HU55S6X
- ATV71HU55Y
- ATV71HU75M3
- ATV71HU75N4
- ATV71HU75S6X
- ATV71HU75Y

---

ATV71PD11N4Z  
ATV71PU55N4Z  
ATV71PU75N4Z  
ATV71WD11N4  
ATV71WD15N4  
ATV71WD18N4  
ATV71WU55N4  
ATV71WU75N4  
ATV212H075M3X  
ATV212H075N4  
ATV212HD11M3X  
ATV212HD11N4  
ATV212HU15M3X  
ATV212HU15N4  
ATV212HU22M3X  
ATV212HU22N4  
ATV212HU30M3X  
ATV212HU30N4  
ATV212HU40M3X  
ATV212HU40N4  
ATV212HU55M3X  
ATV212HU55N4  
ATV212HU75M3X  
ATV212HU75N4  
ATV212W075N4  
ATV212W075N4C  
ATV212WD11N4  
ATV212WD11N4C  
ATV212WU15N4  
ATV212WU15N4C  
ATV212WU22N4  
ATV212WU22N4C  
ATV212WU30N4  
ATV212WU30N4C  
ATV212WU40N4  
ATV212WU40N4C  
ATV212WU55N4  
ATV212WU55N4C  
ATV212WU75N4  
ATV212WU75N4C  
ATV61HD11M3X  
ATV61HD15M3X  
ATV61HD15Y  
ATV61HD18M3X  
ATV61HD18Y  
ATV61HD22M3X  
ATV61HD22N4  
ATV61HD22Y  
ATV61HD30N4  
ATV61HD30Y  
ATV61HD37N4  
ATV61WD22N4  
ATV61WD22N4C  
ATV61WD30N4  
ATV61WD30N4C  
ATV61WD37N4  
ATV61WD37N4C  
ATV71HD11M3X  
ATV71HD15M3X  
ATV71HD15Y  
ATV71HD18M3X  
ATV71HD18Y  
ATV71HD22M3X  
ATV71HD22N4  
ATV71HD22Y  
ATV71HD30Y  
ATV71HD37N4  
ATV71WD30N4  
ATV71WD37N4  
ATV630 variable speed drive - 2,2 kW, 500...690 V trifazic  
ATV630 variable speed drive - 3 kW, 500...690 V trifazic  
ATV630 variable speed drive - 4 kW, 500...690 V trifazic  
ATV630 variable speed drive - 5,5 kW, 500...690 V trifazic  
ATV630 variable speed drive - 7,5 kW, 500...690 V trifazic  
ATV630 variable speed drive - 11 kW, 500...690 V trifazic  
ATV930 variable speed drive - 2,2 kW, 500...690 V trifazic  
ATV930 variable speed drive - 3 kW, 500...690 V trifazic  
ATV930 variable speed drive - 4 kW, 500...690 V trifazic  
ATV930 variable speed drive - 5,5 kW, 500...690 V trifazic  
ATV930 variable speed drive - 7,5 kW, 500...690 V trifazic

---

ATV930 variable speed drive - 11 kW, 500...690 V trifazic  
ATV630 variable speed drive, 3 CP, 600 V trifazic  
ATV630 variable speed drive, 5 CP, 600 V trifazic  
ATV630 variable speed drive, 7,5 CP, 600 V trifazic  
ATV630 variable speed drive, 10 CP, 600 V trifazic  
ATV630 variable speed drive, 15 CP, 600 V trifazic  
ATV930 variable speed drive, 3 CP, 600 V trifazic  
ATV930 variable speed drive, 5 CP, 600 V trifazic  
ATV930 variable speed drive, 7,5 CP, 600 V trifazic  
ATV930 variable speed drive, 10 CP, 600 V trifazic  
ATV930 variable speed drive, 15 CP, 600 V trifazic

cantitate Incorporata	1
conexiune electrica	Bare subtiri diametru: 9 mm

## Suplimentare

lungimea maxima a cablului motorului	300 m cablu ecranat P motor 2,2...7,5 kW la 200...240 V 1 300 m cablu neecranat P motor 2,2...7,5 kW la 200...240 V 1 150 m cablu ecranat P motor 11...22 kW la 200...240 V 1 300 m cablu neecranat P motor 11...22 kW la 200...240 V 1 160 m cablu ecranat P motor 0,75...18,5 kW la 380...480 V 1 200 m cablu neecranat P motor 0,75...18,5 kW la 380...480 V 1 140 m cablu ecranat P motor 22...30 kW la 380...480 V 1 170 m cablu neecranat P motor 22...30 kW la 380...480 V 1 75 m cablu ecranat P motor 2,2...7,5 kW la 500...600 V 1 150 m cablu neecranat P motor 2,2...7,5 kW la 500...600 V 1 65 m cablu ecranat P motor 2,2...30 kW la 500...690 V 1 100 m cablu neecranat P motor 2,2...30 kW la 500...690 V 1 150 m cablu ecranat P motor 2,2...7,5 kW la 500...690 V 2 250 m cablu neecranat P motor 2,2...7,5 kW la 500...690 V 2 100 m cablu ecranat P motor 2,2...30 kW la 500...690 V 2 150 m cablu neecranat P motor 2,2...30 kW la 500...690 V 2 97 m cablu ecranat P motor 37 kW la 380...480 V 1 166 m cablu neecranat P motor 37 kW la 380...480 V 1
dv/dt	500 V/ $\mu$ s maxim la 400 V 750 V/ $\mu$ s maxim la 500 V 1000 V/ $\mu$ s maxim la 690 V
pierderi termice	350 W
maximum drive output frequency	100 Hz
tip de protectie	Protectie termica de termostat programabil, temperatura de declansare: 125 °C pentru <250 V c.a., <0,5 A
temperatura ambientala de utilizare	-10...50 °C
greutate produs	10 kg

## Mediu

grad de protectie IP	IP20 (cu kituri VW3A9612,613) IP00
temperatura ambietala pentru depozitare	-25...70 °C

## Unitati de ambalare

Unitate de masura pentru prima forma de impachetare	PCE
Număr de produse in pachet	1
Inaltime prima forma de impachetare	28,000 cm
Latime prima forma de impachetare	26,500 cm
Lungime prima forma de impachetare	28,000 cm
Greutate colet(Lbs)	9,555 kg
Unitate de masura pentru a doua forma de impachetare	S06
Numar unitati in a doua forma de impachetare	8
Inaltime a doua forma de impachetare	75,000 cm
Latime a doua forma de impachetare	60,000 cm
Lungime a doua forma de impachetare	80,000 cm
Greutate a doua forma de impachetare	90,816 kg

# Garanție contractuală

---

Garantie (in luni)

18

## Environmental Data

Schneider Electric isi propune sa atinga nivelul Net Zero pana in 2050 prin parteneriate la nivelul lantului de aprovizionare, materiale cu impact mai redus si circularitate, prin campania „Use Better, Use Longer, Use Again” pentru a extinde durata de viata a produselor si reciclabilitatea.

[Environmental Data explicate >](#)

[Cum evaluam sustenabilitatea produselor >](#)

### Use Better

#### Materiale si ambalare

Pachet cu carton reciclabil

Nu

Ambalaj fara plastic

Nu

Directiva RoHS a UE

[Conform](#)

### Use Longer

#### Prelungire durata de viata

Reparare

Nu

### Use Again

#### Reambalare si refabricare

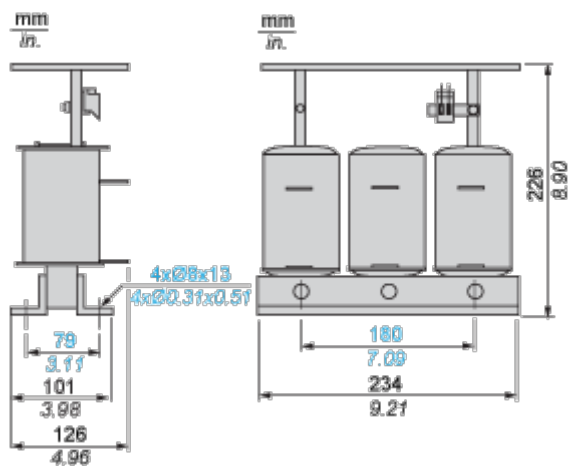
Preluare la sfarsitul duratei de viata

Da

Dimensions Drawings

Dimensions

Right and Front View



Mounting and Clearance

Mounting Recommendations

---

