



holder, 3-fold, plastic, 1 NC, LED module, red, 6-24 V AC/DC, screw terminal

| | |
|---|------------------------------------|
| product brand name | SIRIUS ACT |
| product designation | Holders |
| design of the product | holder for plastic |
| product type designation | 3SU1 |
| manufacturer's article number | |
| • of supplied contact module | 3SU1400-1AA10-1CA0 |
| • of supplied contact module at position 1 | 3SU1400-1AA10-1CA0 |
| • of supplied LED module | 3SU1401-1BG20-1AA0 |
| • of the supplied holder | 3SU1500-0AA10-0AA0 |
| Actuator | |
| design of the actuating element | 3-way with module |
| number of contact modules | 1 |
| Holder | |
| material of the holder | Plastic |
| Display | |
| number of LED modules | 1 |
| General technical data | |
| product function positive opening | Yes |
| product component | |
| • diode | Yes |
| • lamp transformer | No |
| • light source | Yes |
| • series resistor | No |
| insulation voltage rated value | 320 V |
| degree of pollution | 3 |
| surge voltage resistance rated value | 4 kV |
| protection class IP of the terminal | IP20 |
| shock resistance | |
| • according to IEC 60068-2-27 | sinusoidal half-wave 15 g / 11 ms |
| • for railway applications according to EN 61373 | Category 1, Class B |
| vibration resistance | |
| • according to IEC 60068-2-6 | 10 ... 500 Hz: 5 g |
| • for railway applications according to EN 61373 | Category 1, Class B |
| operating frequency maximum | 3 600 1/h |
| mechanical service life (operating cycles) typical | 10 000 000 |
| thermal current | 10 A |

| | |
|---|---|
| reference code according to IEC 81346-2 | U |
| continuous current of the C characteristic MCB | 10 A; for a short-circuit current smaller than 400 A |
| continuous current of the quick DIAZED fuse link | 10 A |
| continuous current of the DIAZED fuse link gG | 10 A |
| Substance Prohibitance (Date) | 10/01/2014 |
| SVHC substance name | Lead monoxide (lead oxide) CAS-No. 1317-36-8 Melamine CAS-No. 108-78-1 |
| Net Weight | 27 g |
| operating voltage | |
| • at AC | |
| — at 50 Hz rated value | 6 ... 24 V |
| — at 60 Hz rated value | 6 ... 24 V |
| • at DC rated value | 6 ... 24 V |
| Power Electronics | |
| contact reliability | One maloperation per 100 million (17 V, 5 mA), one maloperation per 10 million (5 V, 1 mA) |
| Control circuit/ Control | |
| inrush current of LED module maximum | 2 A |
| Auxiliary circuit | |
| design of the contact of auxiliary contacts | Silver alloy |
| number of NC contacts for auxiliary contacts | 1 |
| number of NO contacts for auxiliary contacts | 0 |
| operational current at AC-15 at 230 V rated value | 6 A |
| Connections/ Terminals | |
| type of electrical connection | |
| • of modules and accessories | Screw-type terminal |
| type of connectable conductor cross-sections | |
| • solid with core end processing | 2x (0.5 ... 0.75 mm ²) |
| • solid without core end processing | 2x (1.0 ... 1.5 mm ²) |
| • finely stranded with core end processing | 2x (0.5 ... 1.5 mm ²) |
| • finely stranded without core end processing | 2x (1,0 ... 1,5 mm ²) |
| • for AWG cables | 2x (18 ... 14) |
| tightening torque of the screws in the bracket | 1 ... 1.2 N·m |
| tightening torque | |
| • with screw-type terminals | 0.8 ... 0.9 N·m |
| Lamp | |
| type of light source | LED |
| color of the light source | red |
| light intensity | 450 ... 1 120 mcd |
| Ambient conditions | |
| ambient temperature | |
| • during operation | -25 ... +70 °C |
| • during storage | -40 ... +80 °C |
| environmental category during operation according to IEC 60721 | 3M6, 3S2, 3B2, 3K6 (with relative air humidity of 10 ... 95%, no condensation in operation permitted) |
| Installation/ mounting/ dimensions | |
| fastening method | front plate mounting |
| • of modules and accessories | Front plate mounting |
| height | 40 mm |
| width | 30 mm |
| shape of the installation opening | round |
| installation width | 30 mm |
| installation depth | 49.8 mm |
| thickness of the front plate usable | 1 ... 6 mm |
| Approvals Certificates | |
| Environmental Product Declaration | |
| • global warming potential [CO2 eq] / during manufacturing | 0.566 kg |
| • global warming potential [CO2 eq] / during operation | 0.235 kg |
| • global warming potential [CO2 eq] / after end of life | -0.0145 kg |
| • global warming potential [CO2 eq] / total | 0.787 kg |

[Environmental Con-
firmations](#)



Siemens
EcoTech



Maritime application other



[Confirmation](#)

Further information

Information on the packaging

<https://support.industry.siemens.com/cs/ww/en/view/109813875>

Information for data generation and storage

<https://support.industry.siemens.com/cs/ww/en/view/109995012>

Information- and Downloadcenter (Catalogs, Brochures,...)

<https://www.siemens.com/ic10>

Industry Mall (Online ordering system)

<https://mall.industry.siemens.com/mall/en/en/Catalog/product?mlfb=3SU1501-1AG20-1CA0>

Cax online generator

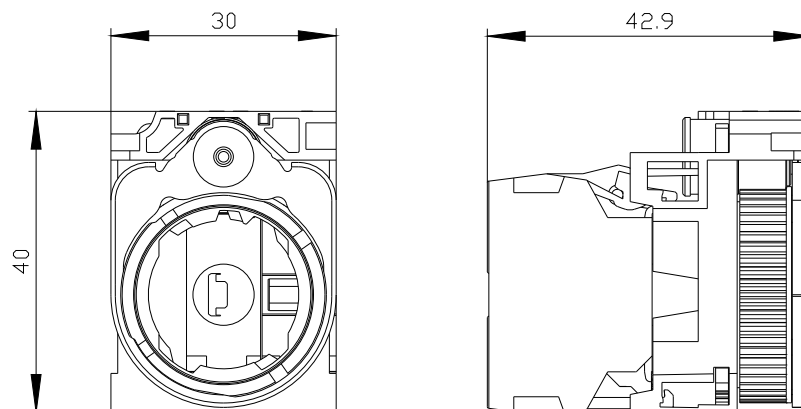
<https://support.automation.siemens.com/WW/CAXorder/default.aspx?lang=en&mlfb=3SU1501-1AG20-1CA0>

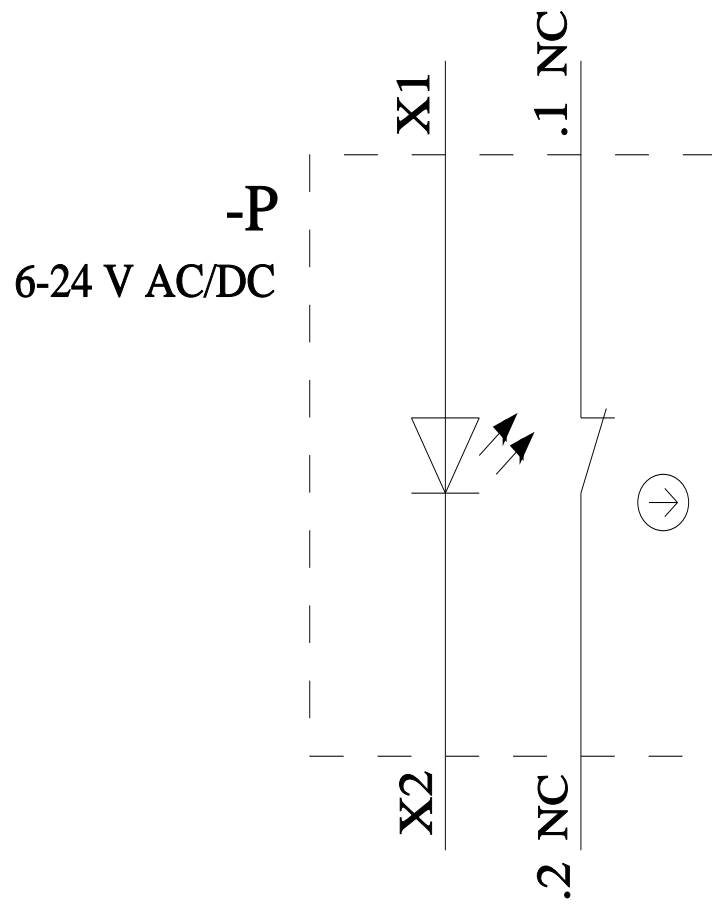
Service&Support (Manuals, Certificates, Characteristics, FAQs,...)

<https://support.industry.siemens.com/cs/ww/en/ps/3SU1501-1AG20-1CA0>

Image database (product images, 2D dimension drawings, 3D models, device circuit diagrams, EPLAN macros, ...)

https://www.automation.siemens.com/bilddb/cax_de.aspx?mlfb=3SU1501-1AG20-1CA0&lang=en





last modified:

4/4/2026 