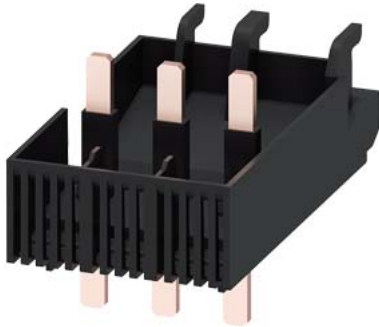


Link module Electrical and mechanical for 3RV2.3 and 3RT2.3. and soft starter 3RW303/3RW403 (individual unit packaging)



product brand name	SIRIUS
product category	Wiring modules, connectors and kits
product designation	link module
product type designation	3RA29

General technical data

product component bottom wiring module	No
product component top wiring module	No
size of the circuit-breaker	S2
size of contactor	S2
Substance Prohibittance (Date)	03/01/2017
Net Weight	102 g
number of poles	3

Installation/ mounting/ dimensions

fastening method	screw fixing
------------------	--------------

Approvals Certificates

Environment	General Product Approval	Maritime application
-------------	--------------------------	----------------------

[Environmental Conformations](#)



Maritime application	other
----------------------	-------



[Confirmation](#)

Further information

Information on the packaging

<https://support.industry.siemens.com/cs/ww/en/view/109813875>

Information for data generation and storage

<https://support.industry.siemens.com/cs/ww/en/view/109995012>

Information- and Downloadcenter (Catalogs, Brochures,...)

<https://www.siemens.com/ic10>

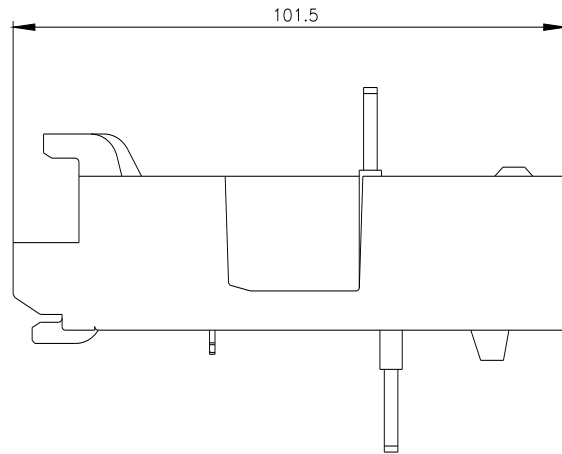
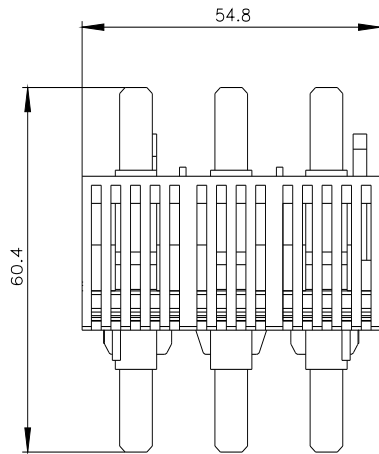
Industry Mall (Online ordering system)

<https://mall.industry.siemens.com/mall/en/en/Catalog/product?mlfb=3RA2931-1AA00>

Cax online generator

<https://support.automation.siemens.com/WW/CAXorder/default.aspx?lang=en&mlfb=3RA2931-1AA00>

Service&Support (Manuals, Certificates, Characteristics, FAQs,...)



last modified:

4/2/2025 