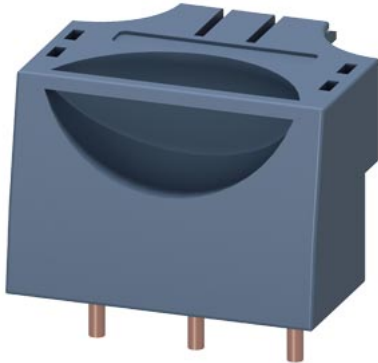


Cable connector size S00 screw terminal



<b>product brand name</b>	SIRIUS	
<b>product category</b>	Plugs, adapters and terminals	
<b>product designation</b>	Connection plug	
<b>design of the product</b>	Size S00	
<b>product type designation</b>	3RV29	
<b>General technical data</b>		
<b>certificate of suitability</b>	CE / UL / CSA / CCC	
<b>size of the circuit-breaker</b>	S00	
power loss [W] for rated value of the current at AC in hot operating state per pole	0.4 W	
<b>type of calculation of power loss current-dependent</b>	quadratic	
protection class IP on the front according to IEC 60529	IP20	
<b>thermal current</b>	16 A	
<b>Substance Prohibitance (Date)</b>	10/01/2009	
<b>Net Weight</b>	0.042 kg	
<b>number of poles for main current circuit</b>	3	
operating voltage at AC rated value	500 V	
<b>operational current rated value</b>	16 A	
<b>ampacity maximum</b>	16 A	
<b>UL/CSA ratings</b>		
operating voltage at AC according to UL rated value	600 V	
<b>Ambient conditions</b>		
<b>ambient temperature</b>		
• during operation	-20 ... +60 °C	
• during storage	-50 ... +80 °C	
<b>Electrical Safety</b>		
<b>protection class IP on the front according to IEC 60529</b>	IP20	
<b>touch protection on the front according to IEC 60529</b>	finger-safe, for vertical contact from the front	
<b>Installation/ mounting/ dimensions</b>		
<b>height</b>	42 mm	
<b>width</b>	45 mm	
<b>depth</b>	54 mm	
<b>Approvals Certificates</b>		
<b>Environmental Product Declaration</b>		
• global warming potential [CO2 eq] / during manufacturing	0.313 kg	
• global warming potential [CO2 eq] / during operation	8.72 kg	
• global warming potential [CO2 eq] / after end of life	0.0218 kg	
• global warming potential [CO2 eq] / total	9.06 kg	
<b>Environment</b>	<b>General Product Approval</b>	<b>Maritime application</b>

[Environmental Con-  
firmations](#)



Maritime application

other



[Confirmation](#)

other

[Miscellaneous](#)

Further information

**Information on the packaging**

<https://support.industry.siemens.com/cs/ww/en/view/109813875>

**Information for data generation and storage**

<https://support.industry.siemens.com/cs/ww/en/view/109995012>

**Information- and Downloadcenter (Catalogs, Brochures,...)**

<https://www.siemens.com/ic10>

**Industry Mall (Online ordering system)**

<https://mall.industry.siemens.com/mall/en/en/Catalog/product?mlfb=3RV2917-5CA00>

**Cax online generator**

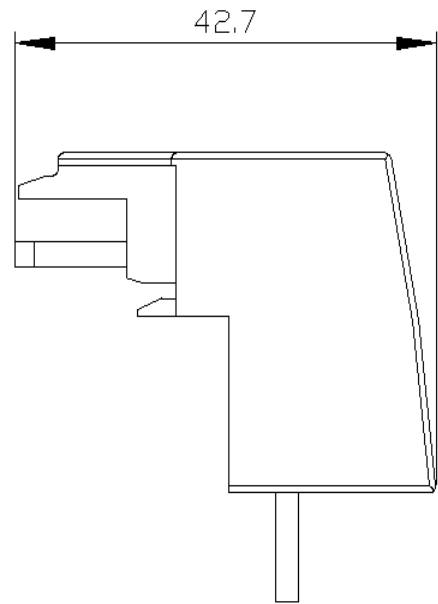
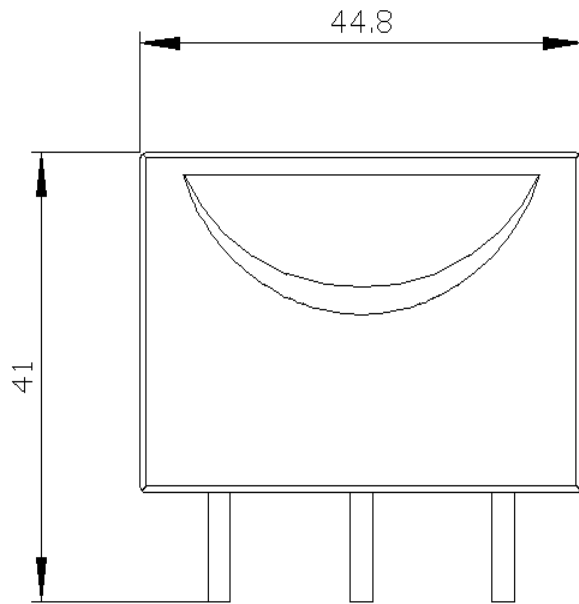
<https://support.automation.siemens.com/WW/CAXorder/default.aspx?lang=en&mlfb=3RV2917-5CA00>

**Service&Support (Manuals, Certificates, Characteristics, FAQs,...)**

<https://support.industry.siemens.com/cs/ww/en/ps/3RV2917-5CA00>

**Image database (product images, 2D dimension drawings, 3D models, device circuit diagrams, EPLAN macros, ...)**

[https://www.automation.siemens.com/bilddb/cax\\_de.aspx?mlfb=3RV2917-5CA00&lang=en](https://www.automation.siemens.com/bilddb/cax_de.aspx?mlfb=3RV2917-5CA00&lang=en)



---

last modified:

4/2/2025 