



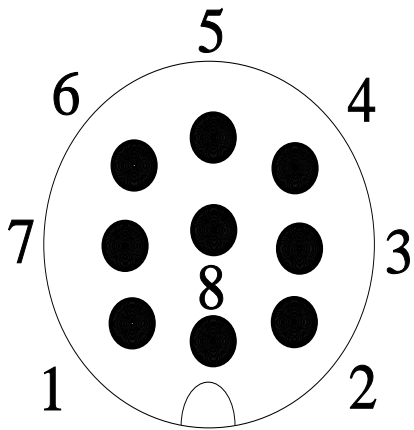
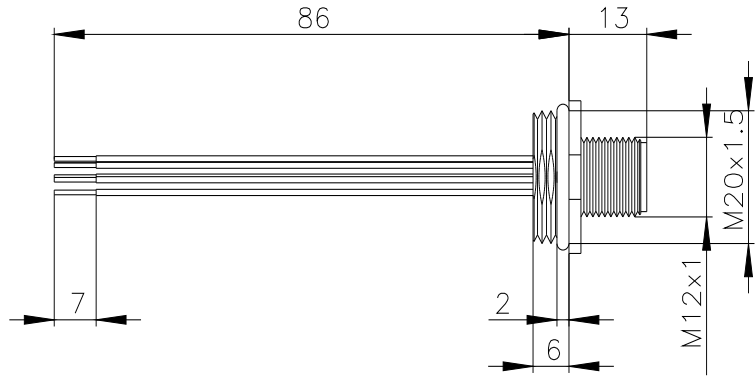
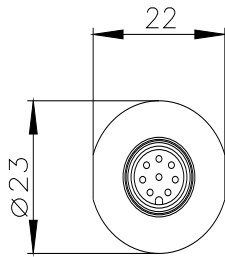
Accessory for position switches 3SE5, with M12 device plug 8-pole plastic, device connection M20 x 1.5

General technical data	
product brand name	SIRIUS
operational current at 40 °C rated value	1.5 A
operating voltage rated value	30 V
number of poles	8
insulation resistance	100 MΩ
ambient temperature during operation	-40 ... +85 °C
connector coding of the M12 circular connector	A - Standard
type of electrical connection	connector M12
color coding of the core	Pin 1 = WH, Pin 2 = BN, Pin 3 = GN, Pin 4 = YE, Pin 5 = GY, Pin 6 = PK, Pin 7 = BU, Pin 8 = RD
overvoltage category	2
degree of pollution	3
protection class IP	IP67
material	
• of the contact	CuZn
• of contact coating	Au
• of contact main body	PA

Certificates/ approvals		
General Product Approval	other	Environment
   	Confirmation	Environmental Confirmations

Further information

Information on the packaging
<https://support.industry.siemens.com/cs/ww/en/view/109813875>
 Information for data generation and storage
<https://support.industry.siemens.com/cs/ww/en/view/109995012>
 Information- and Downloadcenter (Catalogs, Brochures,...)
<https://www.siemens.com/ic10>
 Industry Mall (Online ordering system)
<https://mall.industry.siemens.com/mall/en/en/Catalog/product?mlfb=3SX5100-1SS08>
 Cax online generator
<https://support.automation.siemens.com/WW/CAXorder/default.aspx?lang=en&mlfb=3SX5100-1SS08>
 Service&Support (Manuals, Certificates, Characteristics, FAQs,...)
<https://support.industry.siemens.com/cs/ww/en/ps/3SX5100-1SS08>
 Image database (product images, 2D dimension drawings, 3D models, device circuit diagrams, EPLAN macros, ...)
https://www.automation.siemens.com/bilddb/cax_de.aspx?mlfb=3SX5100-1SS08&lang=en



1	WH = White
2	BN = Brown
3	GE = Green
4	YE = Yellow
5	GY = Grey
6	PK = Pink
7	BU = Blue
8	RD = Red

