



DELTA device insert Antenna through-type/end box also for broadband

| Model | | |
|---|---|-------|
| product brand name | DELTA | |
| product designation | Insert | |
| design of the product | Aerial through-way boxes/terminal boxes | |
| type of antenna outlet | feed-through socket | |
| General technical data | | |
| coupling attenuation at 2150 MHz | 15 dB | |
| coupling attenuation at 860 MHz | 15 dB | |
| transmission loss at 2150 MHz | 1.5 dB | |
| transmission loss at 860 MHz | 1.5 dB | |
| protection class IP | IP00 | |
| Main circuit | | |
| operating frequency rated value | | |
| • minimum | 2 400 MHz | |
| • maximum | 2 400 MHz | |
| Suitability | | |
| suitability for interaction cable modem | No | |
| Product details | | |
| product component cover | No | |
| Product function | | |
| product function remote supply | No | |
| Number | | |
| number of electrical connections | 2 | |
| Mechanical Design | | |
| height | 70 mm | |
| width | 70 mm | |
| Net Weight | 119 g | |
| Approvals Certificates | | |
| Environment | General Product Approval | other |

[Environmental Conformations](#)

[Confirmation](#)



[Confirmation](#)

Further information

Information on the packaging

<https://support.industry.siemens.com/cs/ww/en/view/109813875>

Information for data generation and storage

<https://support.industry.siemens.com/cs/ww/en/view/109995012>

Information- and Downloadcenter (Catalogs, Brochures,...)

<https://www.siemens.com/lowvoltage/catalogs>

Industry Mall (Online ordering system)

<https://mall.industry.siemens.com/mall/en/en/Catalog/product?mlfb=5TG2484>

Service&Support (Manuals, Certificates, Characteristics, FAQs,...)

<https://support.industry.siemens.com/cs/ww/en/ps/5TG2484>

Image database (product images, 2D dimension drawings, 3D models, device circuit diagrams, ...)

https://www.automation.siemens.com/bilddb/cax_en.aspx?mlfb=5TG2484

CAX-Online-Generator

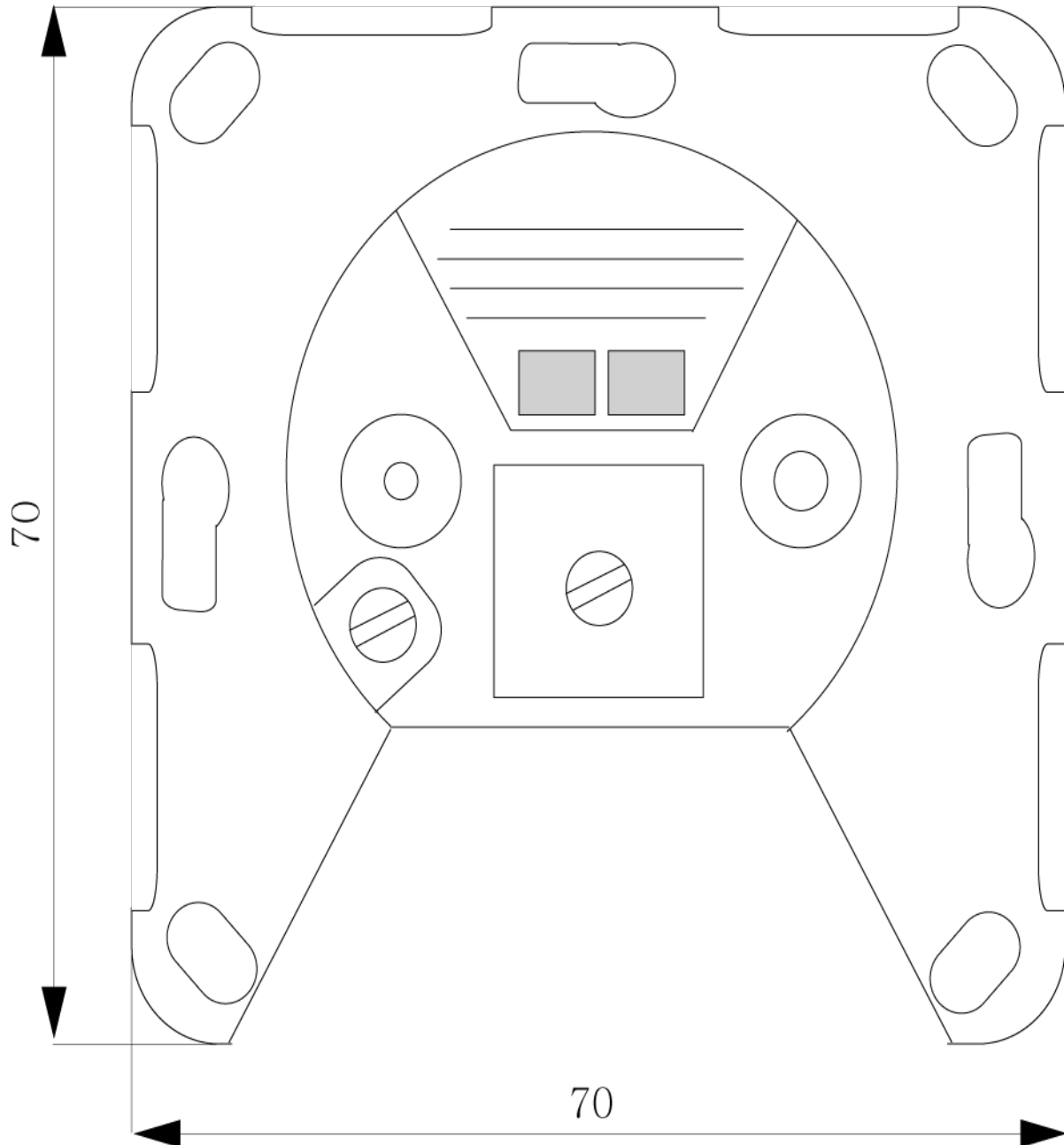
<https://www.siemens.com/cax>

Tender specifications

<https://www.siemens.com/specifications>

Characteristic curves

[https://curves.simaris.siemens.com/curves/<mmp_prod_noCOMP="HAUPT"></mmp_prod_no>](https://curves.simaris.siemens.com/curves/<mmp_prod_noCOMP=)



last modified:

9/6/2025

