

Fork lever for position switch 3SE51 2 x lever made of stainless steel with one plastic roller 19 mm each for actuator head 3SE5000-0AT10



product brand name	SIRIUS	
product designation	actuator for fork lever actuator	
product type designation	3SE5	
manufacturer's article number		
• of the supplied operating lever	3SE5000-0AT03	
General technical data		
product function positive opening	Yes	
shock resistance		
• according to IEC 60068-2-27	30 g / 11 ms	
vibration resistance		
• according to IEC 60068-2-6	0.35 mm/5 g	
mechanical service life (operating cycles) typical	1 000 000	
reference code according to IEC 81346-2	T	
active principle	mechanical	
Substance Prohibition (Date)	07/01/2006	
Net Weight	0.059 kg	
minimum actuating torque in directions of actuation	0.25 N·m	
Ambient conditions		
ambient temperature		
• during operation	-25 ... +85 °C	
• during storage	-40 ... +90 °C	
explosion protection category for dust	none	
Enclosure		
coating of the enclosure	Other types	
Drive Head		
design of the actuating element	stainless steel lever, plastic rollers, 19 mm, one track	
shape of the switch head	roller	
outer diameter of the switch head	19 mm	
Installation/ mounting/ dimensions		
mounting position	any	
fastening method	lockable plug-in fixing	
design of the interface for safety-related communication	without	
Communication/ Protocol		
design of the interface	without	
Approvals Certificates		
General Product Approval	Test Certificates	other



[Type Test Certificates/Test Report](#)



other

Environment

[Confirmation](#)

[Environmental Confirmations](#)

Further information

Information on the packaging

<https://support.industry.siemens.com/cs/ww/en/view/109813875>

Information for data generation and storage

<https://support.industry.siemens.com/cs/ww/en/view/109995012>

Information- and Downloadcenter (Catalogs, Brochures,...)

<https://www.siemens.com/ic10>

Industry Mall (Online ordering system)

<https://mall.industry.siemens.com/mall/en/en/Catalog/product?mlfb=3SE5000-0AT03>

Cax online generator

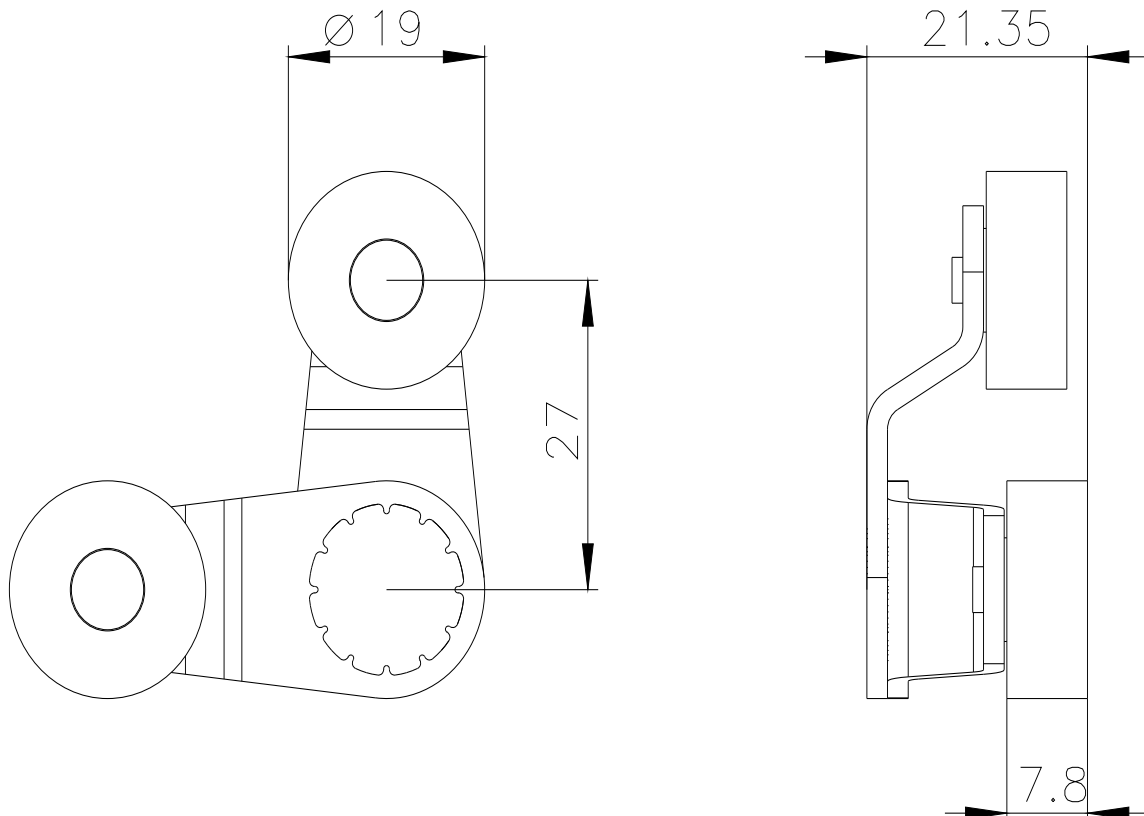
<https://support.automation.siemens.com/WW/CAXorder/default.aspx?lang=en&mlfb=3SE5000-0AT03>

Service&Support (Manuals, Certificates, Characteristics, FAQs,...)

<https://support.industry.siemens.com/cs/ww/en/ps/3SE5000-0AT03>

Image database (product images, 2D dimension drawings, 3D models, device circuit diagrams, EPLAN macros, ...)

https://www.automation.siemens.com/bilddb/cax_de.aspx?mlfb=3SE5000-0AT03&lang=en



last modified:

4/4/2026