



accessories for 3KF size 5, fourth pole, switchable, for LV HRC fuse sizes 2 and 3, flat connector

Model	
product brand name	SENTRON
product designation	Accessories for switch disconnectors
design of the product	Fourth pole
suitability for use	For 3KF size 5
color of the actuating element	gray
product description	switchable
product feature can be locked into OFF position	Yes
accessories	Fourth pole
type of electrical connection	Flat terminal

Mechanical Design	
Net Weight	5 kg

Certificates	
reference code according to IEC 81346-2	Q

Approvals Certificates	
Environment	General Product Approval

[Environmental Con-
firmations](#)

[Environmental Con-
firmations](#)

[Miscellaneous](#)

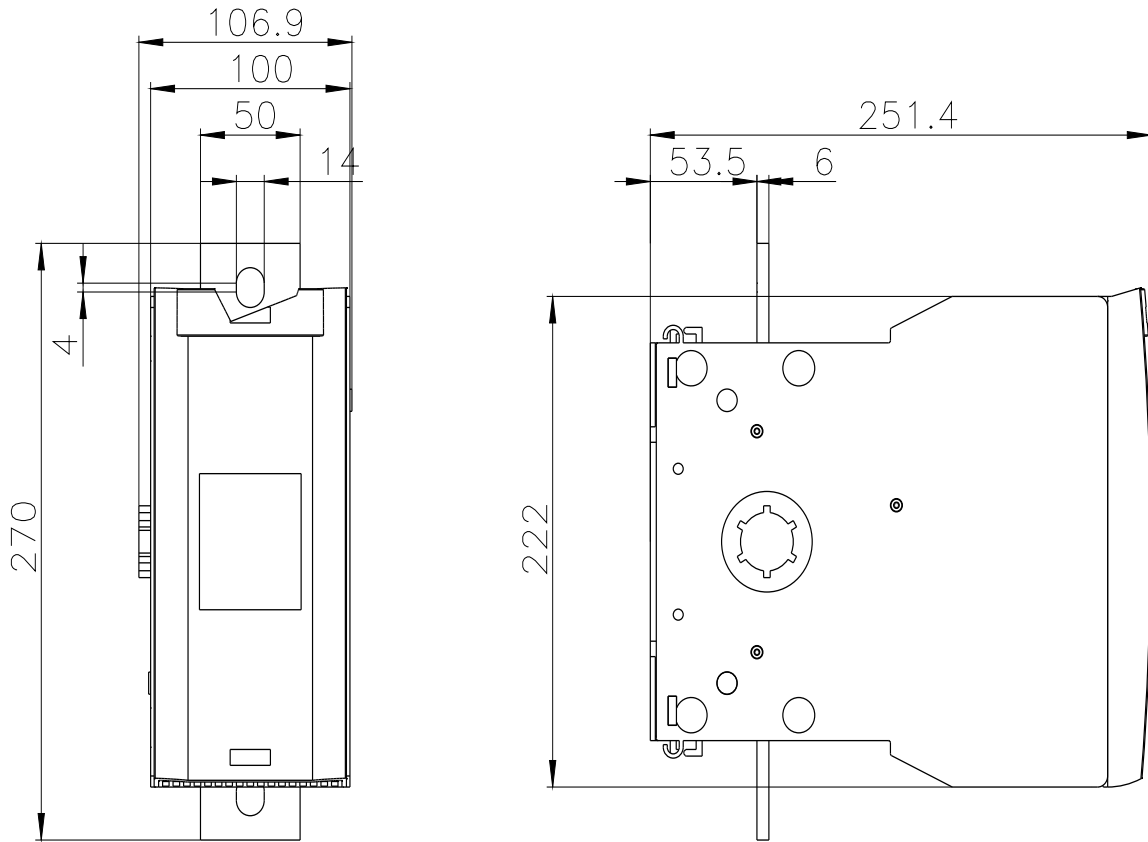


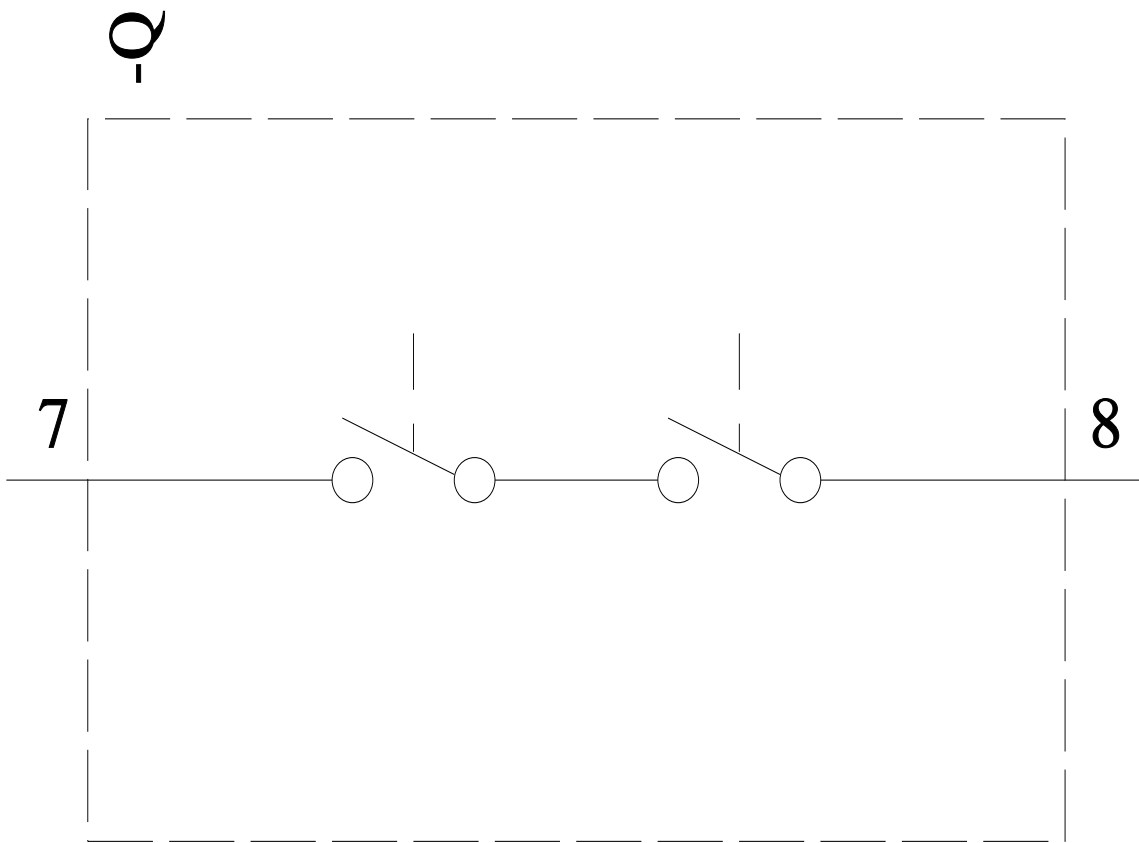
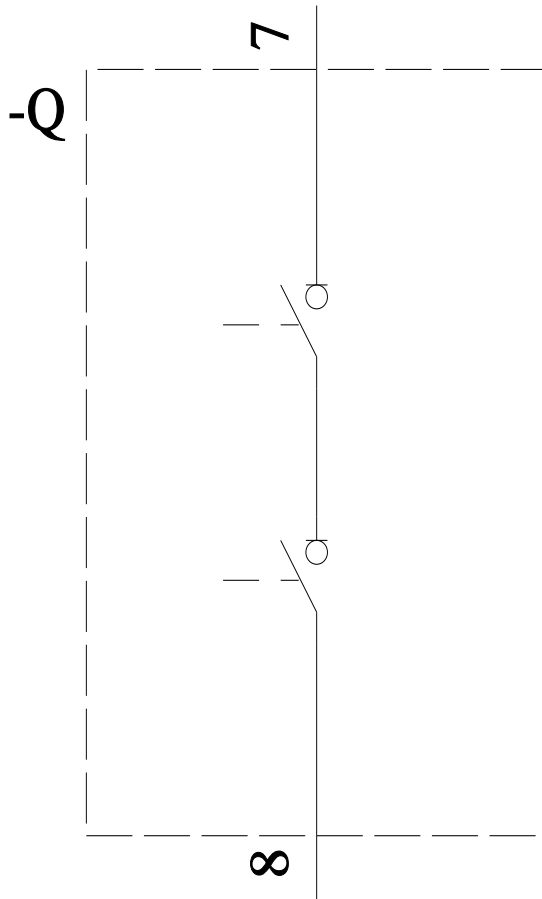
Maritime application



Further information

- Information on the packaging
<https://support.industry.siemens.com/cs/ww/en/view/109813875>
- Information for data generation and storage
<https://support.industry.siemens.com/cs/ww/en/view/109995012>
- Information- and Downloadcenter (Catalogs, Brochures,...)
<https://www.siemens.com/lowvoltage/catalogs>
- Industry Mall (Online ordering system)
<https://mall.industry.siemens.com/mall/en/en/Catalog/product?mlfb=3KF9505-0AA00>
- Service&Support (Manuals, Certificates, Characteristics, FAQs,...)
<https://support.industry.siemens.com/cs/ww/en/ps/3KF9505-0AA00>
- Image database (product images, 2D dimension drawings, 3D models, device circuit diagrams, ...)
https://www.automation.siemens.com/bilddb/cax_en.aspx?mlfb=3KF9505-0AA00





last modified:

4/3/2025

