

Actuator head for position switch 3SE51/52 EN 50041, Angular roller lever Metal lever with Plastic roller 22 mm



product brand name	SIRIUS		
product designation	actuator head for position switch		
product type designation	3SE5		
manufacturer's article number			
<ul style="list-style-type: none"> of the supplied actuator head for position switches 	3SE5000-0AF05		
General technical data			
product function positive opening	Yes		
shock resistance			
<ul style="list-style-type: none"> according to IEC 60068-2-27 	30 g / 11 ms		
vibration resistance			
<ul style="list-style-type: none"> according to IEC 60068-2-6 	0.35 mm/5 g		
mechanical service life (operating cycles) typical	15 000 000		
material of the enclosure of the switch head	plastic		
reference code according to IEC 81346-2	T		
active principle	mechanical		
Substance Prohibition (Date)	07/01/2006		
Net Weight	0.04 kg		
minimum actuating force in directions of actuation	10 N		
Ambient conditions			
ambient temperature			
<ul style="list-style-type: none"> during operation during storage 	-25 ... +85 °C -40 ... +90 °C		
explosion protection category for dust	none		
Enclosure			
coating of the enclosure	Other types		
Drive Head			
design of the actuating element	Angular roller lever, plastic roller		
standard-compliant actuator head	EN 50041		
shape of the switch head	roller		
outer diameter of the switch head	22 mm		
Installation/ mounting/ dimensions			
mounting position	any		
fastening method	lockable plug-in fixing		
design of the interface for safety-related communication	without		
Communication/ Protocol			
design of the interface	without		
Approvals Certificates			
General Product Approval	Test Certificates	other	Environment

Further information

Information on the packaging

<https://support.industry.siemens.com/cs/ww/en/view/109813875>

Information for data generation and storage

<https://support.industry.siemens.com/cs/ww/en/view/109995012>

Information- and Downloadcenter (Catalogs, Brochures,...)

<https://www.siemens.com/ic10>

Industry Mall (Online ordering system)

<https://mall.industry.siemens.com/mall/en/en/Catalog/product?mlfb=3SE5000-0AF05>

Cax online generator

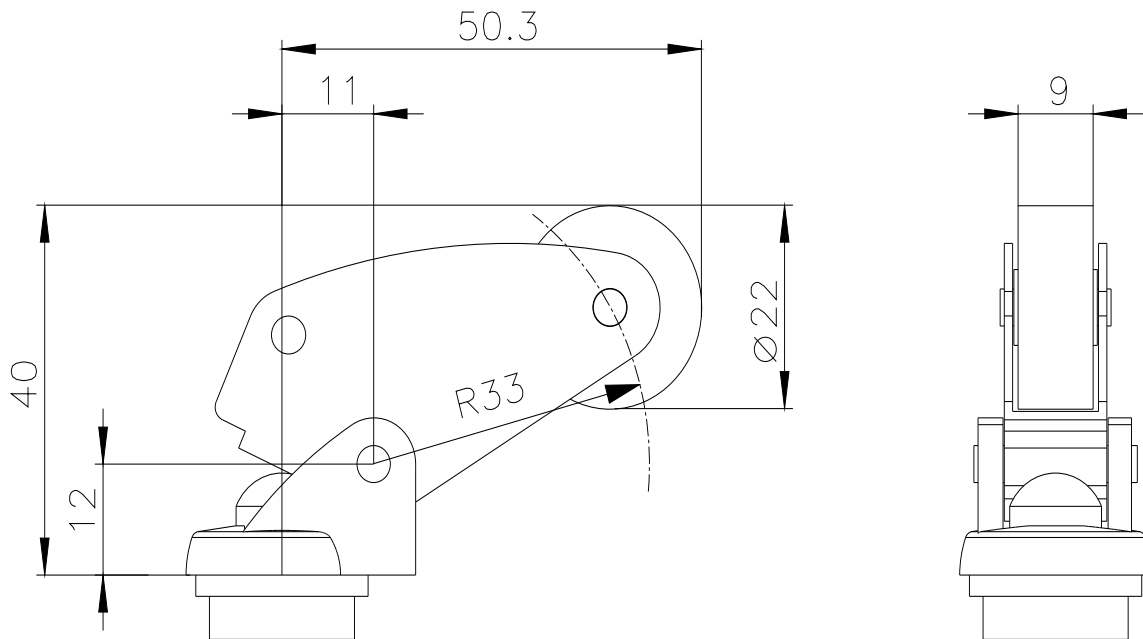
<https://support.automation.siemens.com/WW/CAXorder/default.aspx?lang=en&mlfb=3SE5000-0AF05>

Service&Support (Manuals, Certificates, Characteristics, FAQs,...)

<https://support.industry.siemens.com/cs/ww/en/ps/3SE5000-0AF05>

Image database (product images, 2D dimension drawings, 3D models, device circuit diagrams, EPLAN macros, ...)

https://www.automation.siemens.com/bilddb/cax_de.aspx?mlfb=3SE5000-0AF05&lang=en



last modified:

4/4/2026 