

mechanical connectors for contactor combinations, 10 mm contactor clearance, for 10 combinations, (2 connectors for each combination), for contactors 3RT204



product brand name	SIRIUS
product category	Mechanical interlocks
product designation	Mechanical connectors
design of the product	for contactor assemblies size S2/S2 for reversing, contactor clearance 10 mm
product type designation	3RA29

General technical data

Substance Prohibitation (Date)	10/01/2014
Net Weight	0.002 kg

Approvals Certificates

Environment	General Product Approval	Maritime application
-------------	--------------------------	----------------------

[Environmental Confirmations](#)



Maritime application	other
----------------------	-------



[Confirmation](#)

Further information

Information on the packaging

<https://support.industry.siemens.com/cs/ww/en/view/109813875>

Information for data generation and storage

<https://support.industry.siemens.com/cs/ww/en/view/109995012>

Information- and Downloadcenter (Catalogs, Brochures,...)

<https://www.siemens.com/ic10>

Industry Mall (Online ordering system)

<https://mall.industry.siemens.com/mall/en/en/Catalog/product?mlfb=3RA2932-2D>

Cax online generator

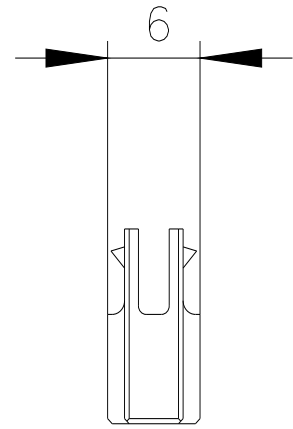
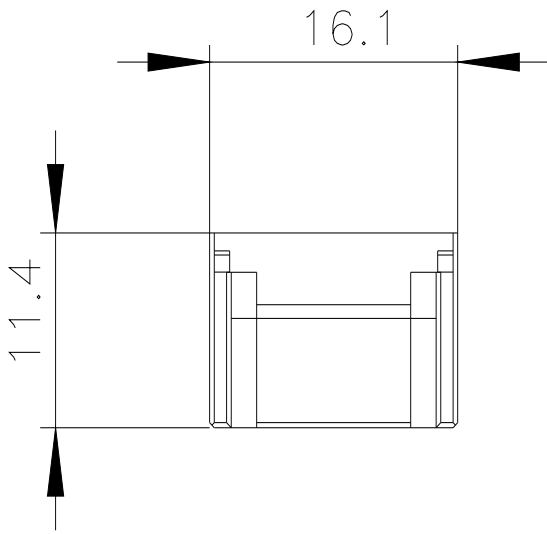
<https://support.automation.siemens.com/WW/CAXorder/default.aspx?lang=en&mlfb=3RA2932-2D>

Service&Support (Manuals, Certificates, Characteristics, FAQs,...)

<https://support.industry.siemens.com/cs/ww/en/ps/3RA2932-2D>

Image database (product images, 2D dimension drawings, 3D models, device circuit diagrams, EPLAN macros, ...)

https://www.automation.siemens.com/bilddb/cax_de.aspx?mlfb=3RA2932-2D&lang=en



last modified:

4/2/2025 